



**taiga** mouldings

# MOULDING YOUR WORLD WITH ENDLESS POSSIBILITIES.

**taiga**  
building products

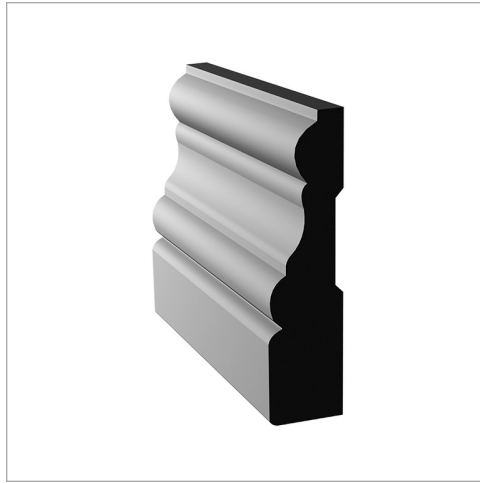
Whatever it takes.®  
[taigabuilding.com](http://taigabuilding.com)

# CASINGS

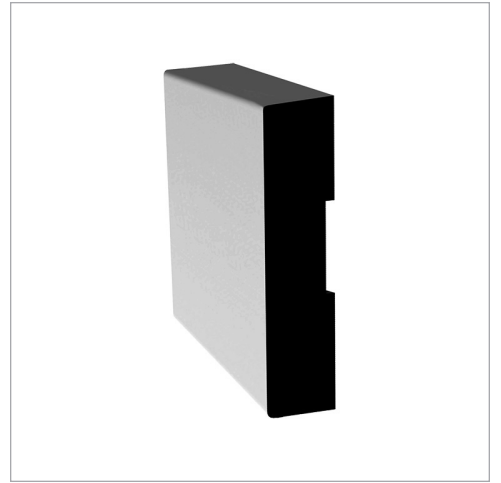


T-100  
1/2" X 2-1/2"

T-101  
5/8" X 2-1/2"



T-111B  
3/4" x 3"



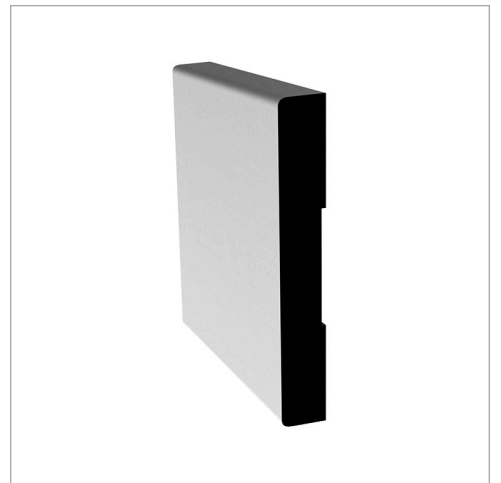
T-125R  
5/8" x 3"



T-126  
5/8" x 3"



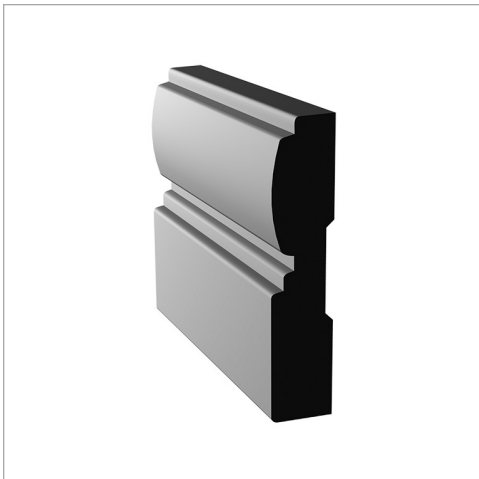
T-126A  
5/8" x 3"



T-136A  
1/2" x 3-1/2"

T-136B  
5/8" x 3-1/2"

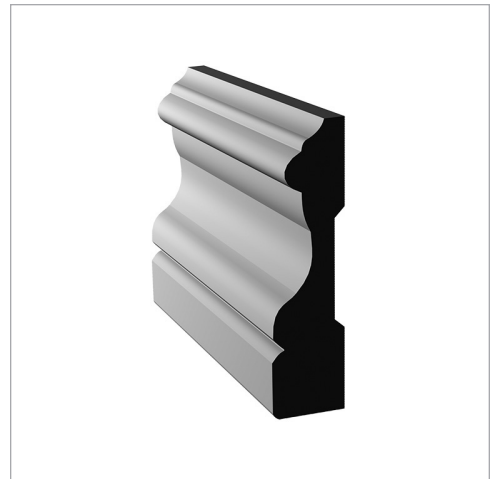
T-136M  
3/8" x 2-1/4"



T-138  
5/8" x 3"

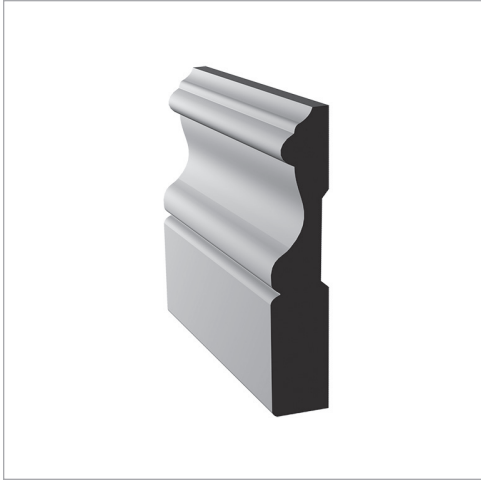


T-145  
3/4" x 3-1/2"



T-175  
5/8" x 2-1/2"

# CASINGS



T-175A  
5/8" x 3-1/4"



T-356A  
3/8" x 2-1/4"



T-8081  
5/8" x 3-1/4"



LIGHT MDF

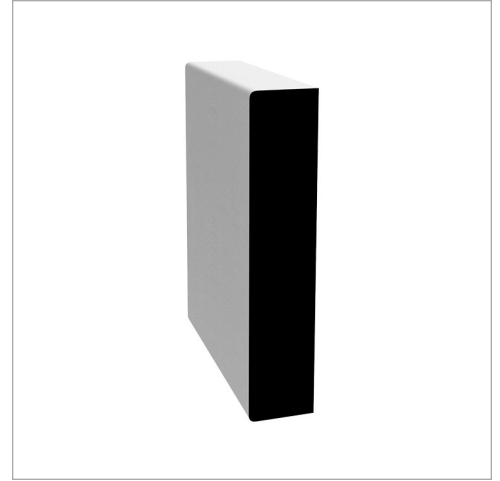
# ARCHITRAVES



T-500  
1-1/4" x 3-3/4"



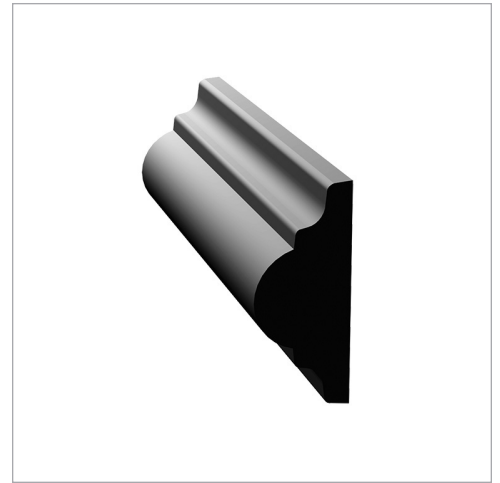
T-501  
1-1/4" x 4-1/4"



T-540  
1" x 4"

PRIMED PINE

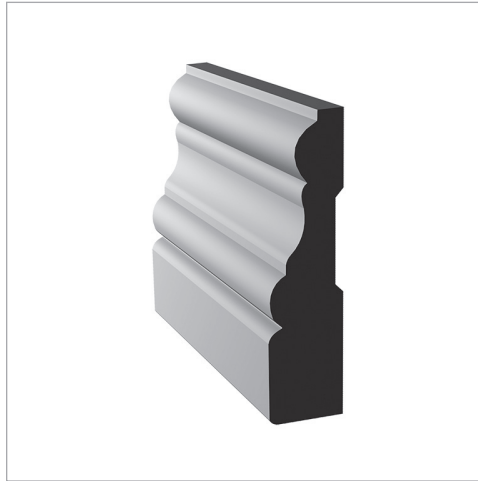
# CHAIR RAIL / PANEL MOULD



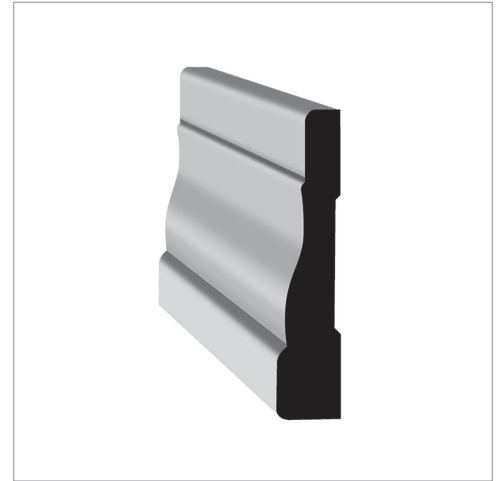
T-217  
3/8" x 3/4"



# FINGER JOINT CASINGS



T-111B  
1 1/16" x 3"

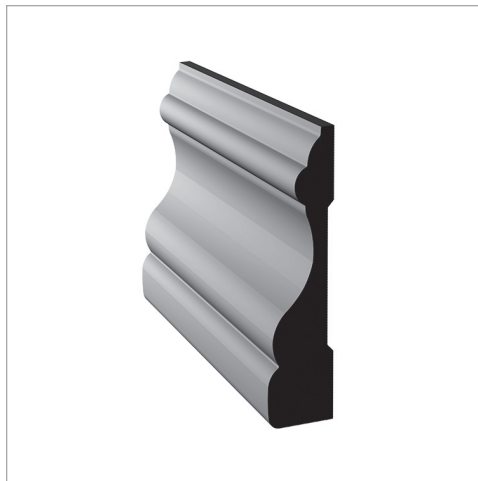


T-356  
7/16" x 2-1/4"



T-356A  
3/8" x 2-1/4"

T-356B  
3/8" x 2"



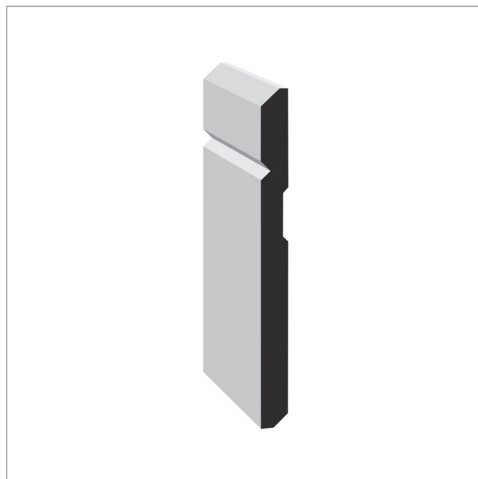
T-1208  
1 1/16" x 2-1/2"



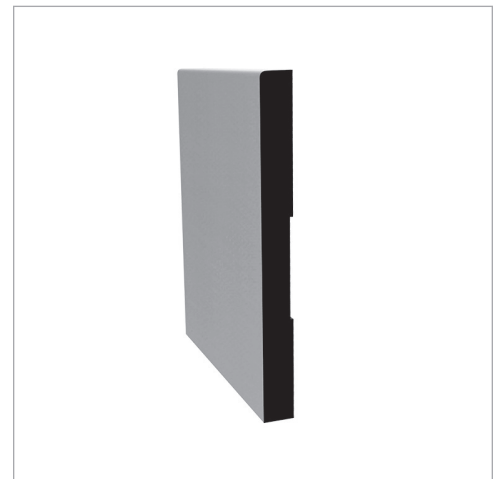
T-3000  
7/16" x 1-7/16"

T-3002  
3/8" x 2-1/4"

# BASEBOARDS



T-8283  
1/2" x 6"

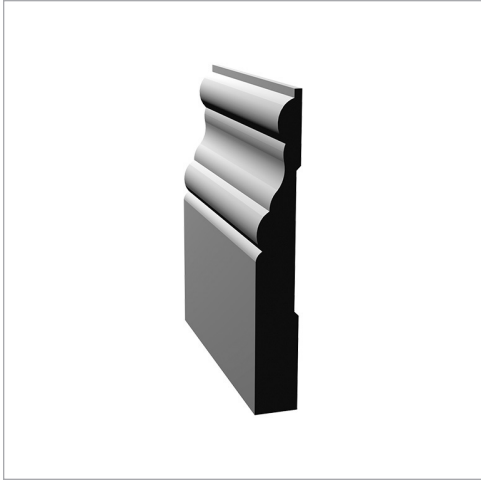


T-325R  
1/2" x 4"

T-336A  
1/2" x 5"

T-336C  
1/2" x 6"

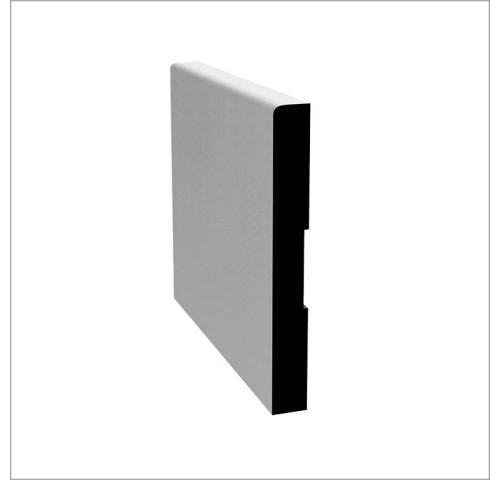
# BASEBOARDS



T-312  
5/8" x 4-1/4"



T-324  
1/2" x 4"



T-336M  
3/8" x 3"



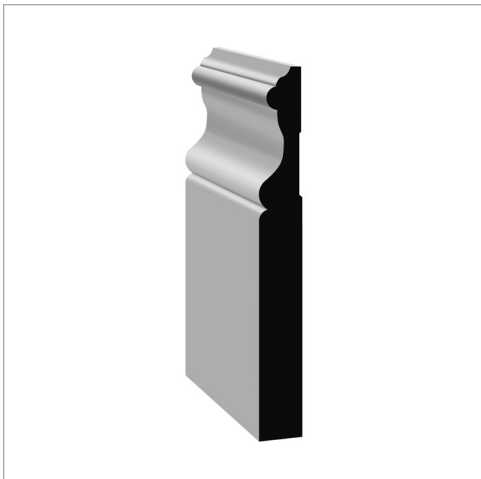
T-338  
1/2" x 5"



T-343A  
3/8" x 3-1/4"



T-345  
5/8" x 5"

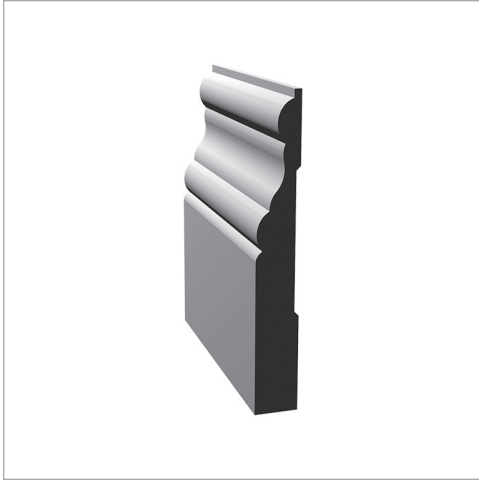


T-375  
5/8" x 5"

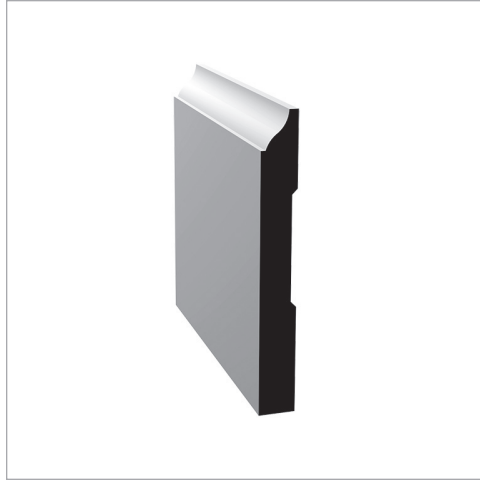


T-375A  
5/8" x 4"

# FINGER JOINT BASEBOARDS



T-312  
5/8" x 4-1/4"



T-323  
3/8" x 3-1/4"



T-343  
3/8" x 3-1/4"



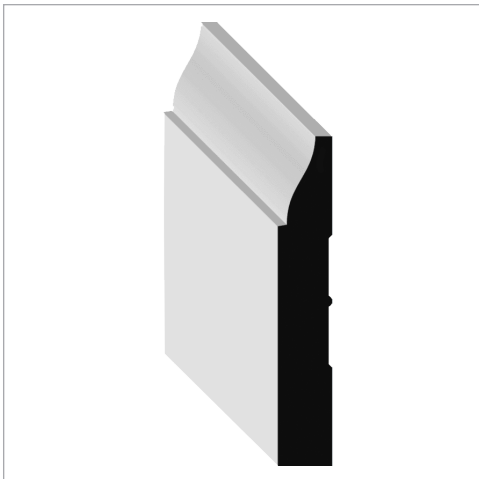
T-344  
7/16" x 3-1/4"



T-353  
7/16" x 3-1/4"

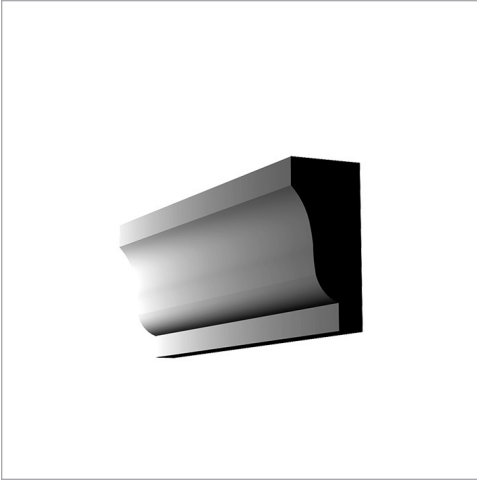


T-355  
9/16" x 4-1/4"

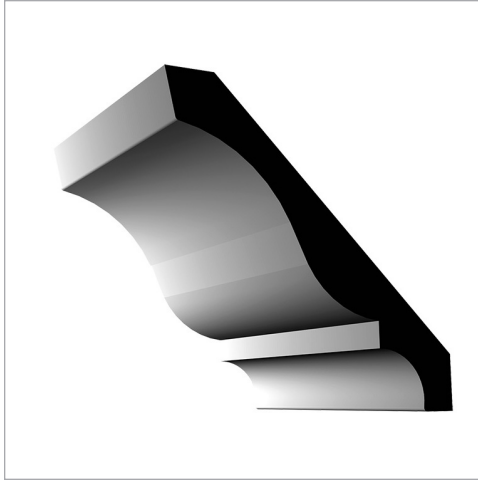


T-625  
3/8" x 2-1/4"

# FINGER JOINT CROWNS

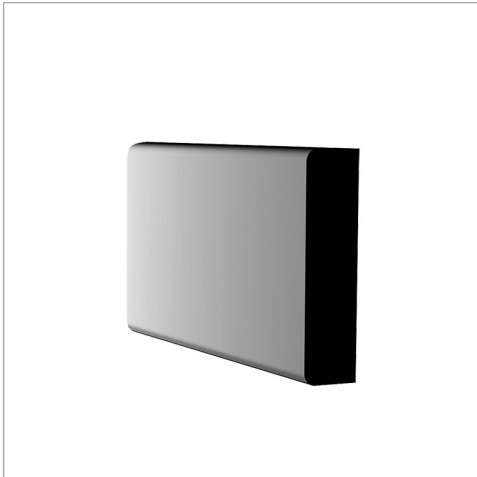


T-444  
5/8" x 1-1/4"

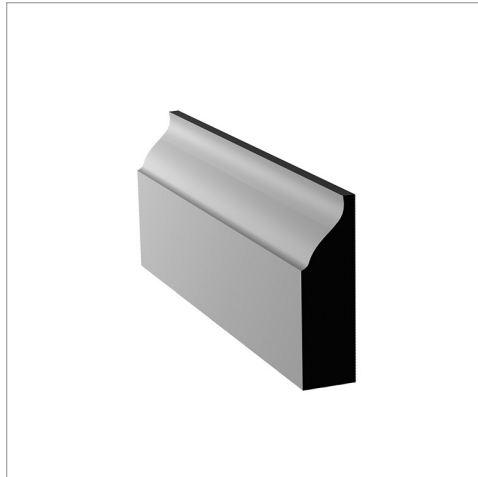


T-451  
9/16" x 3-1/4"

# STOPS



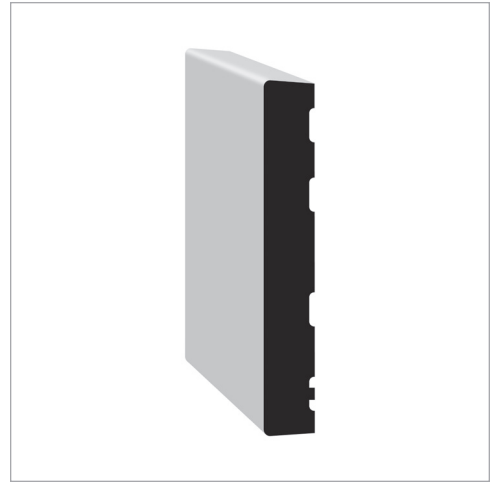
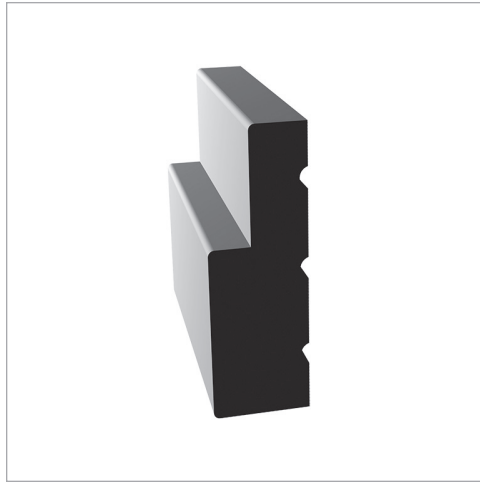
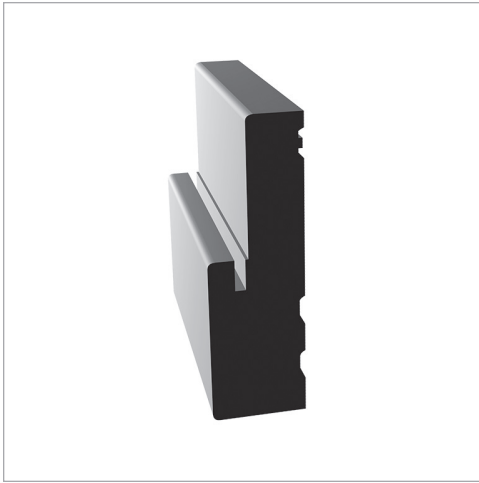
T-922  
3/8" x 1-1/4"



T-936  
3/8" x 1-1/4"



# FINGER JOINT JAMBS



## EXTERIOR KERF JAMB

**3439K**  
1-1/4" x 4-9/16" x 2-1/8"  
KERF

**3458K**  
1-1/4" x 6-9/16" x 2-1/8"  
KERF

## INTERIOR RAB JAMB

**3438**  
1-1/4" x 4-9/16" x 1-3/8"  
RAB

**3439**  
1-1/4" x 4-9/16" x 1-3/4"  
RAB

**3456**  
1-1/4" x 6-9/16" x 1-3/8"  
RAB

**3458**  
1-1/4" x 6-9/16" x 1-3/4"  
RAB

## FLAT JAMB

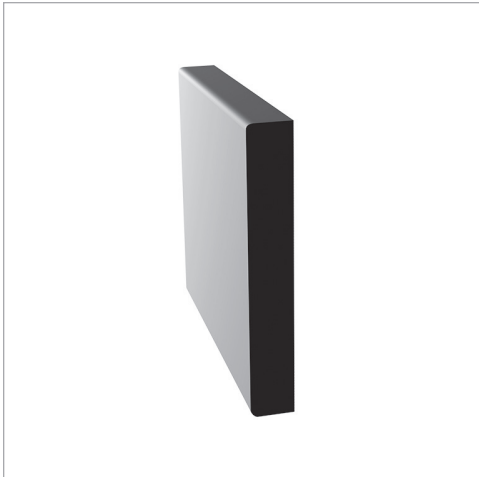
**1x5**  
11/16" x 4-9/16"

**1x7**  
11/16" x 6-9/16"

AVAILABLE AS A  
FIRE RATED JAM SET

## LIGHT MDF

# FLAT JAMBS

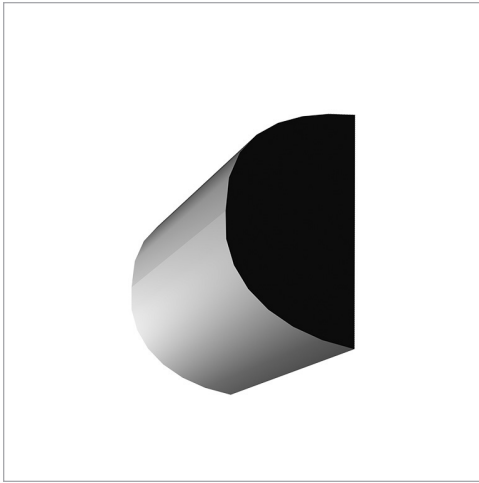


**1x5**  
11/16" x 4-9/16"

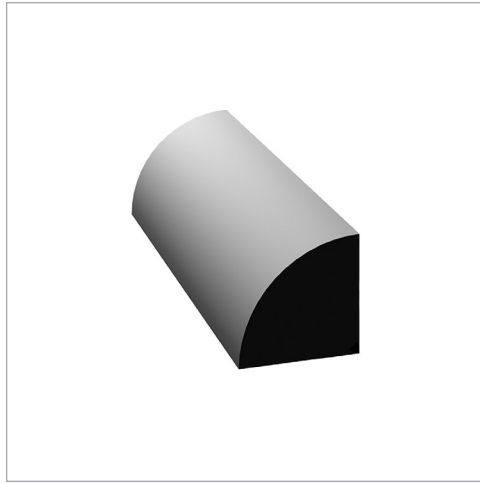
**1x7**  
11/16" x 6-9/16"

AVAILABLE WITH HEADER DADO

# FINGER JOINT MOULDINGS

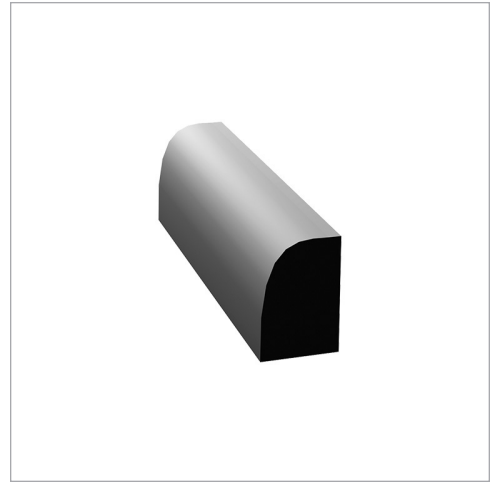


T-3212  
3/8" x 3/4"

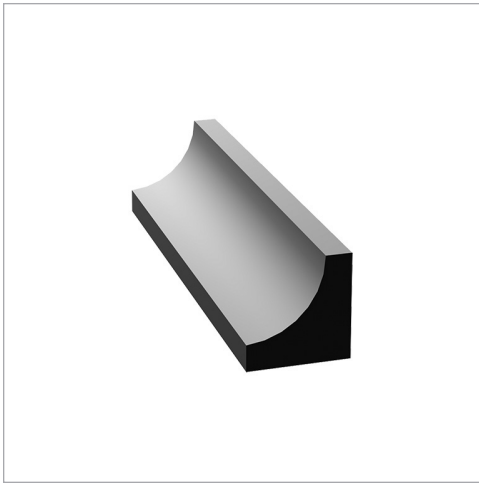


T-3202  
1/2" x 1/2"

T-3206  
1 1/16" x 1 1/16"

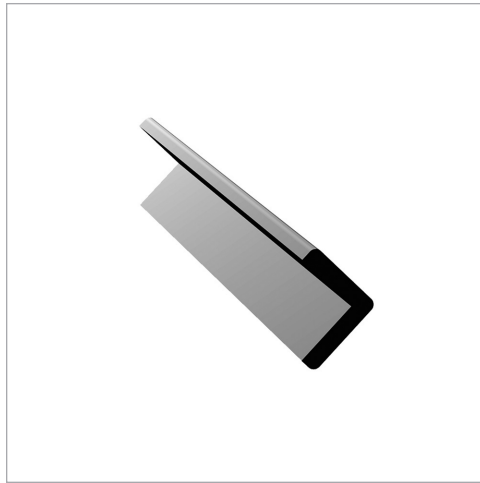


T-392  
1/2" x 3/4" Base Shoe



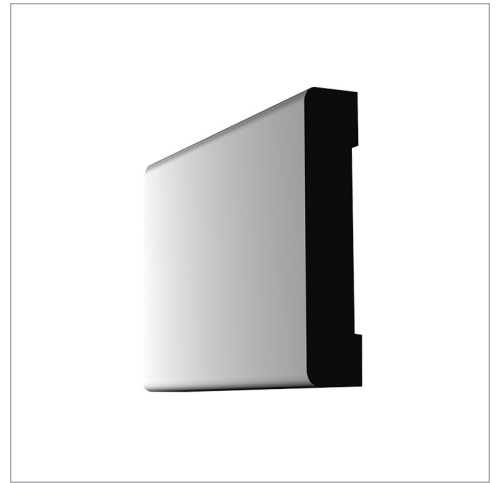
T-3260  
1/2" x 1/2"

T-3264  
1 1/16" x 1 1/16"



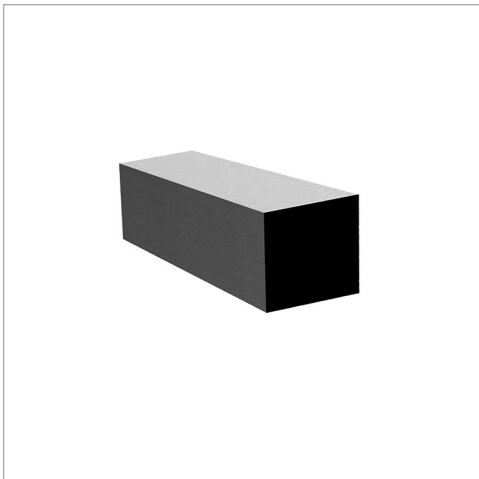
T-3280  
1-1/16" x 1-1/16" O.S.C.

T-3282  
1 1/16" x 1 1/16" O.S.C.

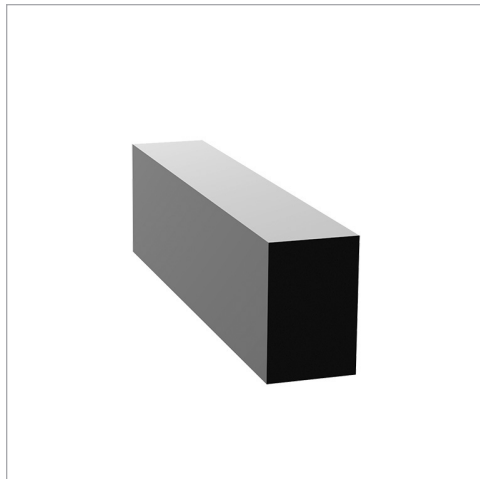


T-3294  
3/8" x 1-5/8"

T-3296  
7/16" x 2-1/4"

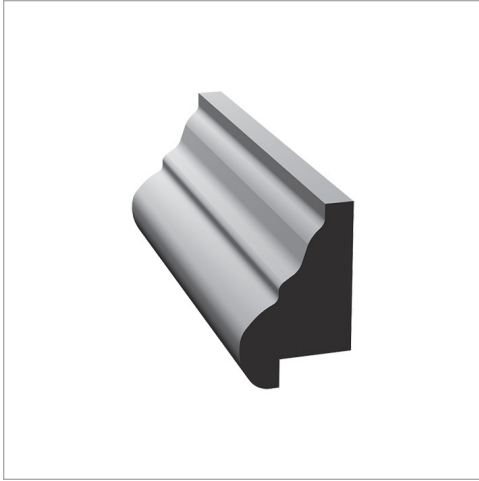


T-3516  
3/4" x 3/4"

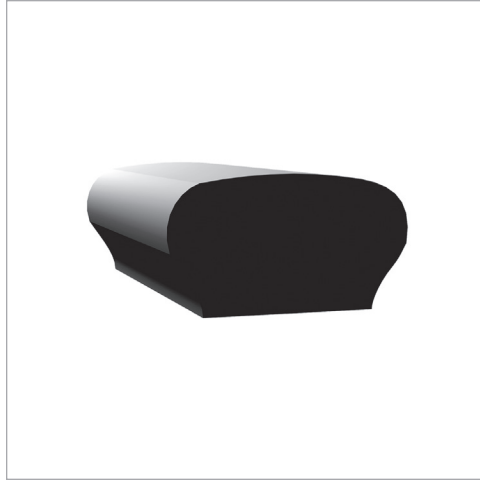


T-3428  
1/2" x 3/4"

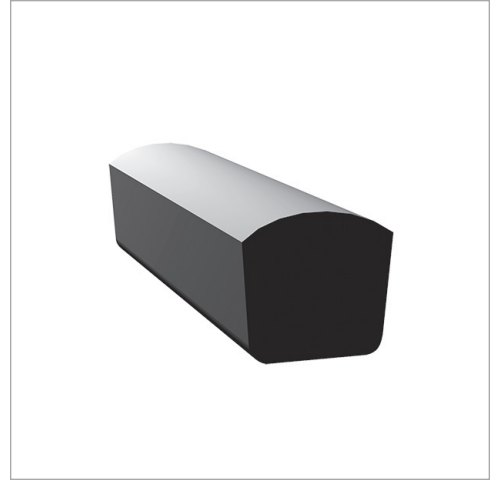
# FINGER JOINT MOULDINGS



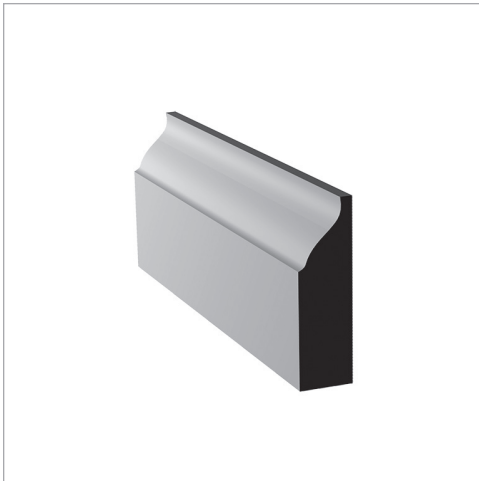
T-207  
11/16" x 1-1/4"



T-3508  
1-1/4" x 2-1/4"



T-3510  
1-7/16" x 1-1/2"



T-936  
3/8" x 1-1/4"



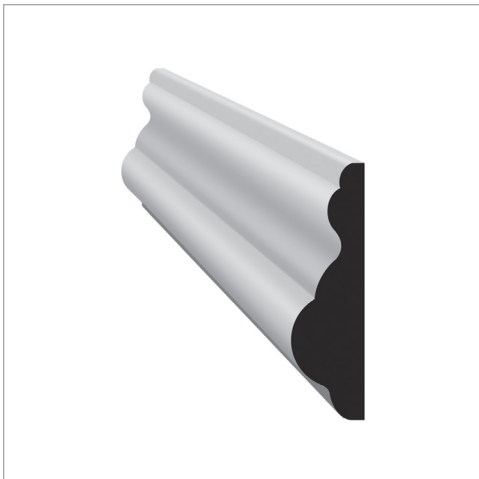
T-922  
3/8" x 1-1/4"



T-3274  
1/4" x 3/4"



T-101  
1/2" x 1"



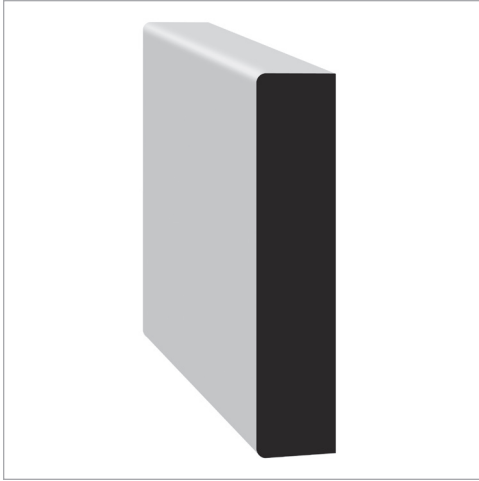
T-3278  
3/8" x 1-1/8"



T-3322  
1-1/4" x 2-1/4"

LIGHT MDF

# E2E FLATSTOCK



**1X2**  
11/16" x 1-1/2"

**1X3**  
11/16" x 2-1/2"

**1X4**  
11/16" x 3-1/2"

**1X5**  
11/16" x 4-9/16"

**1X6**  
11/16" x 5-1/2"

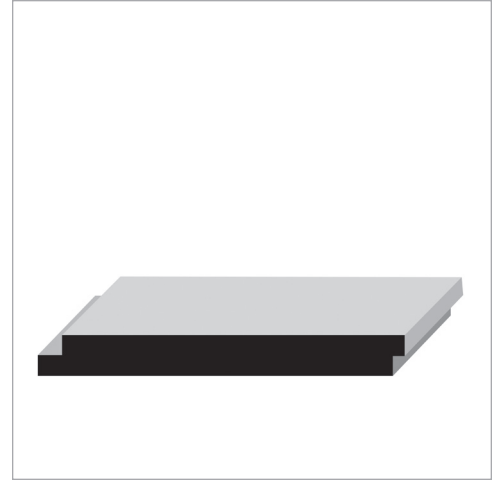
**1X7**  
11/16" x 6-9/16"

**1X8**  
11/16" x 7-1/4"

**1X10**  
11/16" x 9-1/4"

LIGHT MDF

# SHIPLAP



**1x6**  
5/8" x 5-1/2"

**1x8**  
5/8" x 7-1/4"

PRIMED PINE

# E4E FINGER JOINT FLATSTOCK



**1X2**  
11/16" x 1-1/2"

**1X3**  
11/16" x 2-1/2"

**1X4**  
11/16" x 3-1/2"

**1X5**  
11/16" x 4-9/16"

**1X6**  
11/16" x 5-1/2"

**1X7**  
11/16" x 6-9/16"

**1X8**  
11/16" x 7-1/4"

**1X10**  
11/16" x 9-1/4"

# MOULDINGS AS OF 2023

## WINNIPEG

**TAIGA BUILDING PRODUCTS**  
1400 CHEVRIER BLVD  
WINNIPEG, MB R3T 1Y6

**TEL 204.475.4664**  
**TOLL FREE 1.800.665.0298**  
**FAX 204.475.2682**

*We endeavour to update our product guides and informational materials on a regular basis. As design taste and technology changes we may also have new products that don't make it into a printed piece. Please contact your Taiga representative for all the latest inventory and specials that suit your business requirements.*

**taiga**  
building products

Whatever it takes.®  
[taigabuilding.com](http://taigabuilding.com)