



**MOULDING  
YOUR  
WORLD  
WITH  
ENDLESS  
POSSIBILITIES.**

**taiga**  
building products

Whatever it takes.®

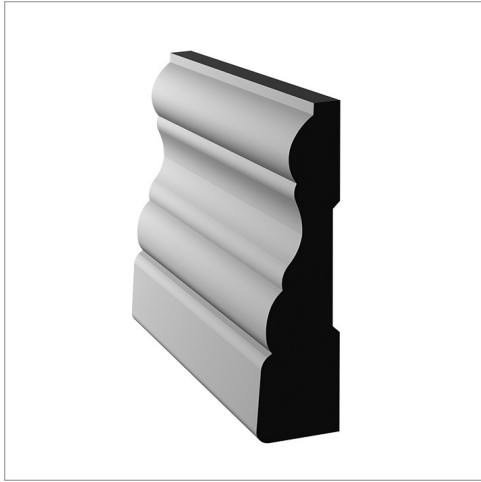
# CASINGS



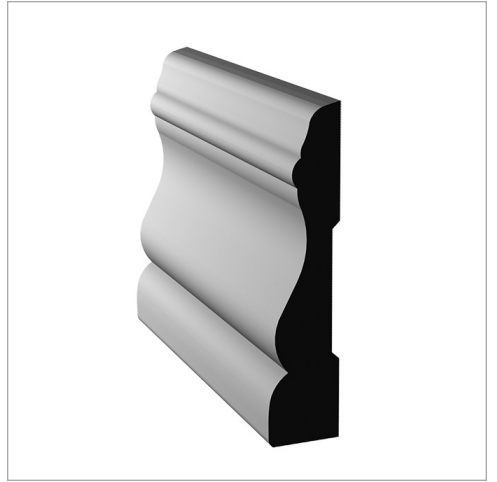
T-100  
1/2" X 2-1/2"  
14'

T-101  
5/8" X 2-1/2"  
7', 8', 14'

T-131  
5/8" X 3"  
15'



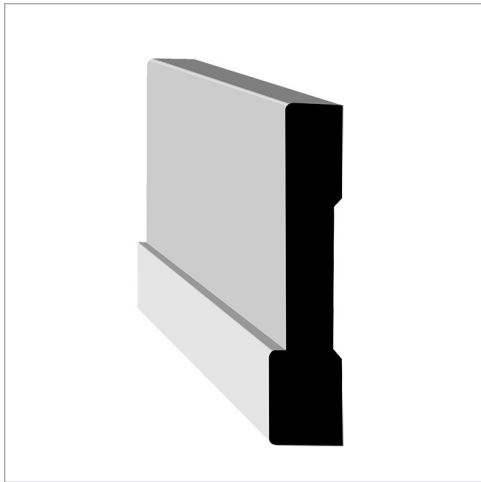
T-111  
3/4" X 2-3/4"  
15'



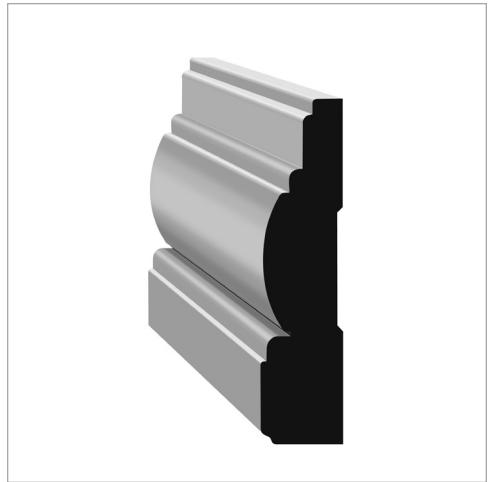
T-127  
5/8" X 2-3/4"  
15'



T-129  
1-1/4" X 4"  
16'



T-134  
11/16" X 3-1/4"  
16'



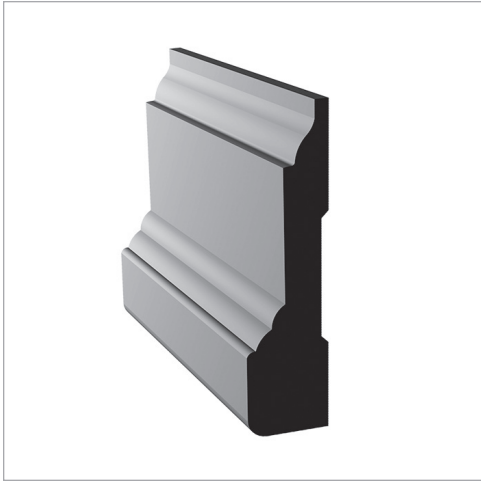
T-141  
7/8" X 3-1/2"  
16'

T-142  
1" X 4-1/2"  
16'

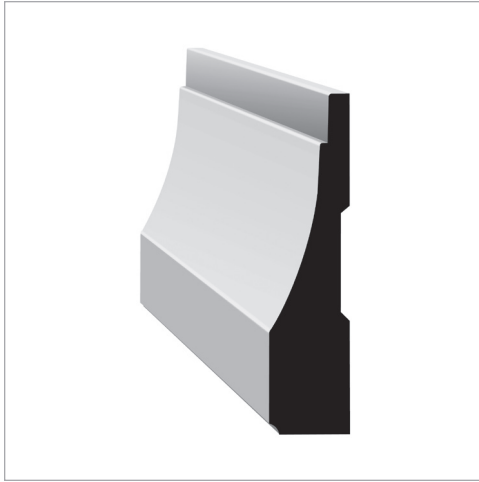


T-528  
5/8" X 2"  
8'

# CASINGS



T-143  
3/4" X 2-3/4"  
15'



T-144B2  
1" X 4"  
16'

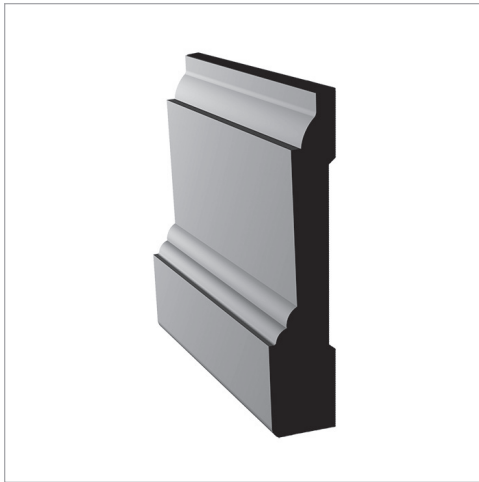
T-144C2  
3/4" X 3"  
16'



T-158  
11/16" X 3-1/2"  
15'



T-179  
3/4" X 3-1/4"  
15'



T-181  
3/4" X 3-1/2"  
15'



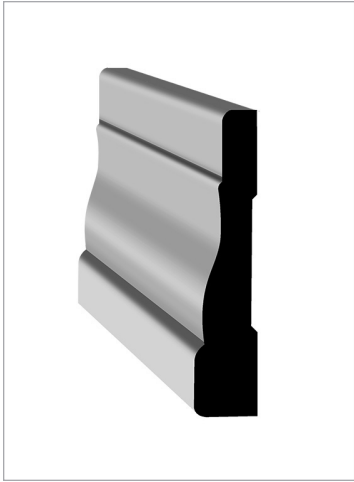
T-191  
5/8" X 3-1/2"  
16'



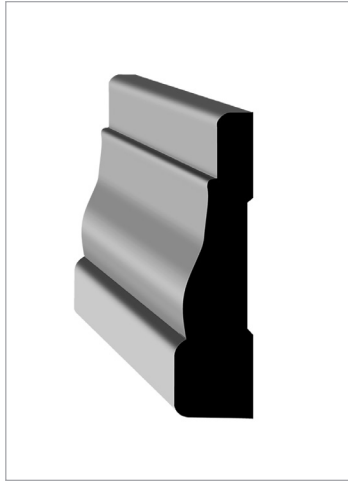
T-356  
1/2" X 2-1/4"  
14'

PRIMED PINE

## FINGER JOINT CASING



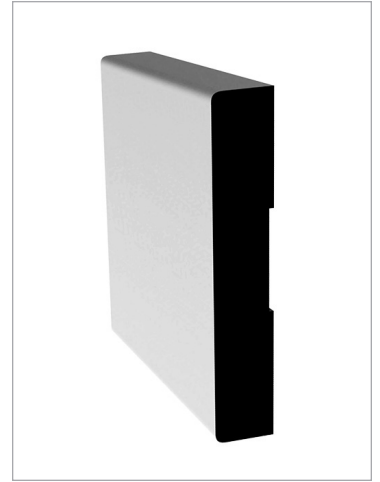
T-356  
7/16" X 2-1/4"  
14'



T-356WM  
11/16" X 2-1/4"  
14'



T-3000  
7/16" X 1-7/16"  
14'



T-3100  
1/2" X 2-1/2"  
14'

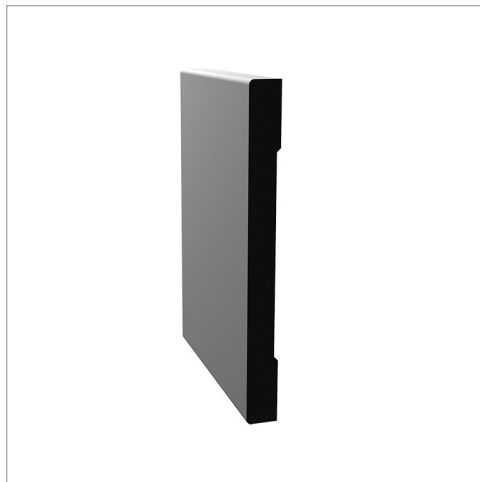
PRIMED PINE

## FINGER JOINT BASEBOARDS

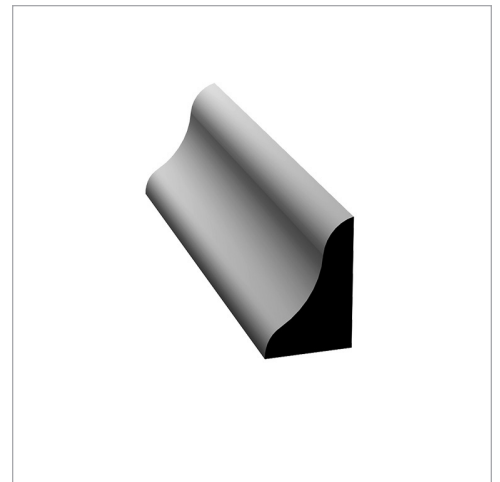


T-305  
1/2" X 3-1/2"  
16'

T-345  
1/2" X 4-1/2"  
16'



T-350  
1/2" X 5-1/2"  
16'



T-390 (201)  
1/2" X 3/4"  
16'

PRIMED PINE

# FINGER JOINT WINDOW STOOL



T-3410  
1-1/4" X 5-1/4"  
16'

T-3411  
1-1/4" X 7-1/4"  
16'

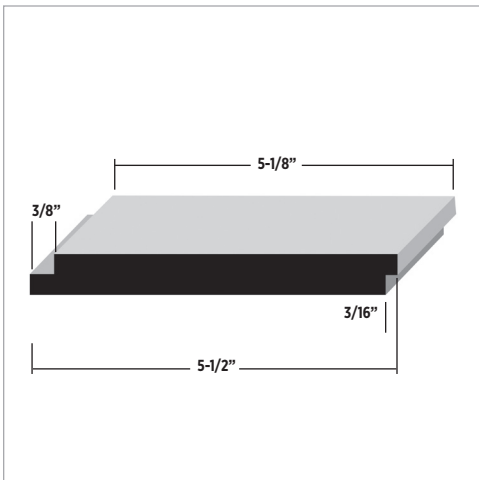
T-3415  
1-1/4" X 12-7/8"  
16'



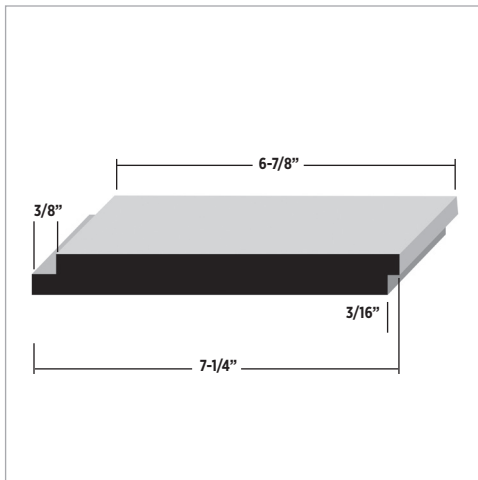
T-3418 SQUARE NOSE  
1-1/2" X 7-1/2"  
16'

ULTRALIGHT

# SHIPLAP

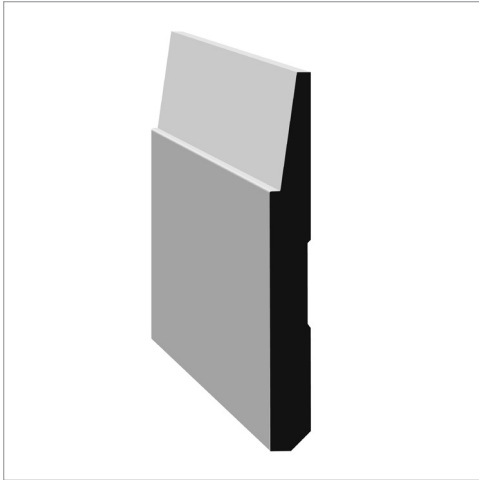


1 X 6 SHIPLAP  
5/8" X 5-1/2"  
16'



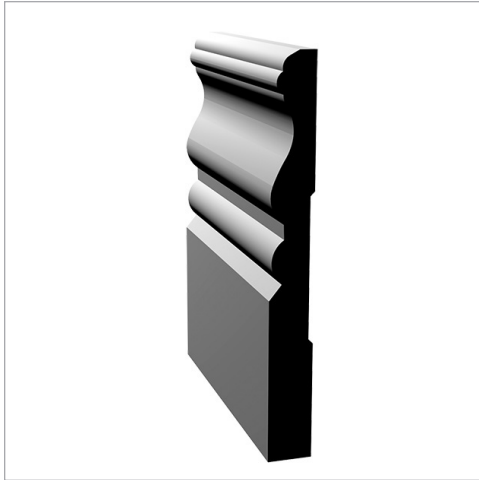
1 X 8 SHIPLAP  
5/8" X 7-1/4"  
16'

# BASEBOARDS



T-273  
5/8" X 5-1/2"  
16'

T-274  
5/8" X 7-1/4"  
16'



T-340  
5/8" X 4-1/8"  
16'



T-330A  
5/8" X 5-1/4"  
16'

T-331  
5/8" X 7-1/4"  
16'



T-310  
5/8" X 4-1/8"  
16'

T-311  
5/8" X 5-1/4"  
16'

T-313  
5/8" X 6-1/2"  
16'



T-316  
1/2" X 4-1/4"  
16'

T-318  
1/2" X 5-1/4"  
16'



T-320  
1/2" X 3-1/4"  
16'

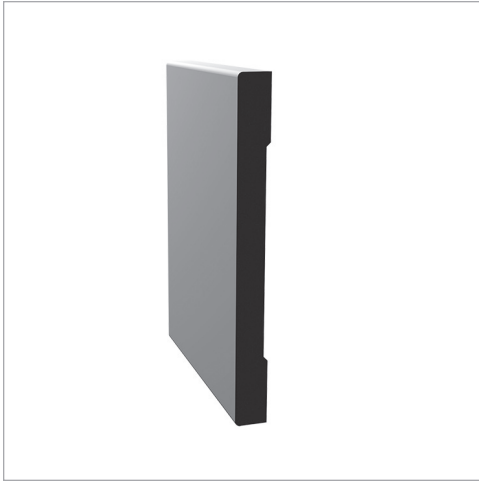


T-301  
1/2" X 3-1/4"  
14'

T-302  
1/2" X 3-1/2"  
16'

T-325  
1/2" X 4"  
16'

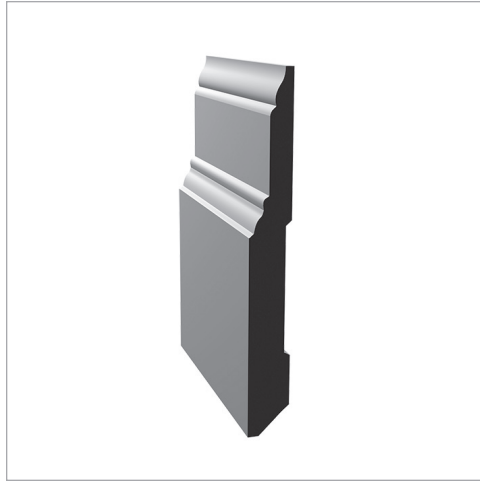
# BASEBOARDS



**T-327**  
1/2" X 4-1/2"  
16'

**T-357**  
1/2" X 5-1/4"  
16'

**T-359**  
1/2" X 5-1/2"  
16'



**T-334**  
5/8" X 5-1/2"  
16'



**T-346A2**  
5/8" X 5-1/4"  
16'

**T-346B2**  
11/16" X 7-1/4"  
16'

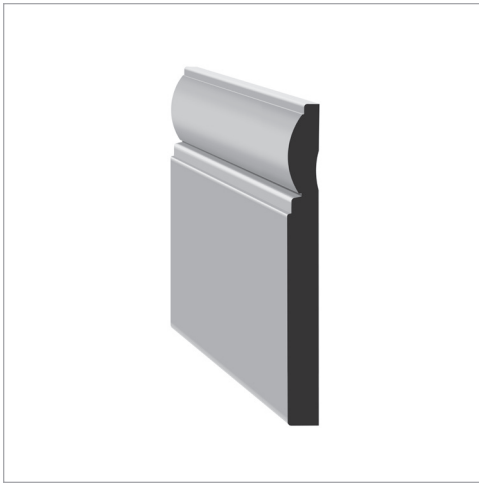
**T-346C2**  
11/16" X 9"  
16'

**T-362**  
1/2" X 6"  
16'

**T-364**  
1/2" X 7-1/4"  
16'

**T-365E**  
1/2" X 9-1/4"  
16'

**T-366**  
1/2" X 11-1/4"  
16'



**T-347**  
3/4" X 7"  
16'



**T-361**  
5/8" X 5-1/4"  
16'

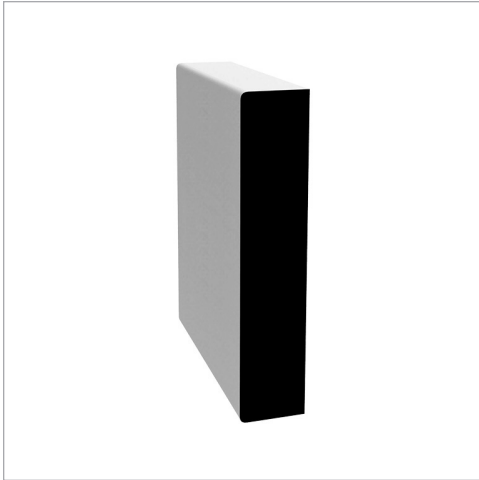
**T-363**  
5/8" X 7-1/4"  
16'



**T-391A**  
1/2" X 5"  
16'

**T-392**  
1/2" X 7-1/4"  
16'

# ARCHITRAVES



T-530 1" X 3-1/2"  
16'

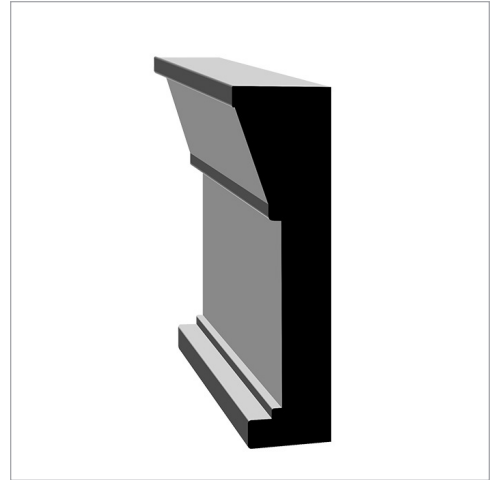
T-545 1" X 4-1/2"  
16'

T-555 1" X 5-1/2"  
16'

T-575 1" X 7-1/4"  
16'



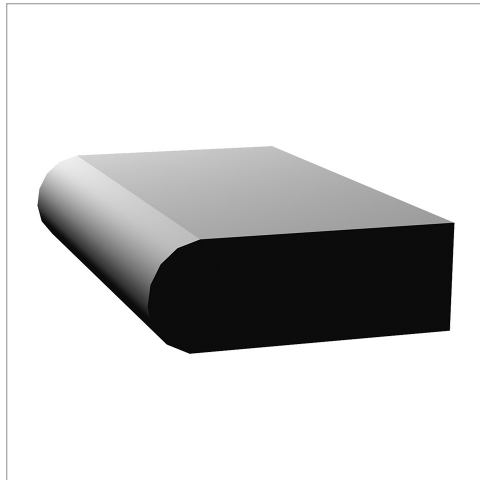
T-5010 1-1/4" X 4-1/4"  
16'



T-5015 1-1/2" X 5-1/2"  
12'



T-5025 1-1/4" X 5-1/4"  
16'



T-9532 1/2" X 1-3/8"  
10'

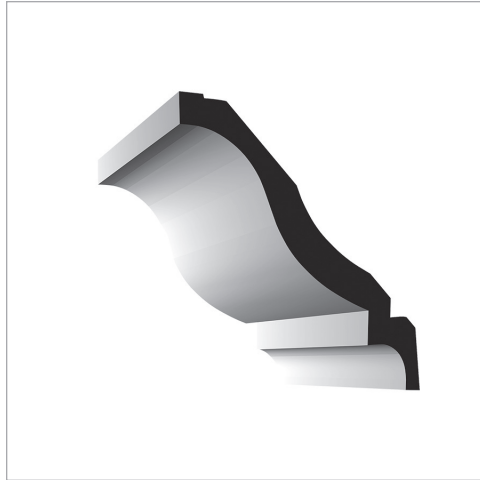


# CROWNS

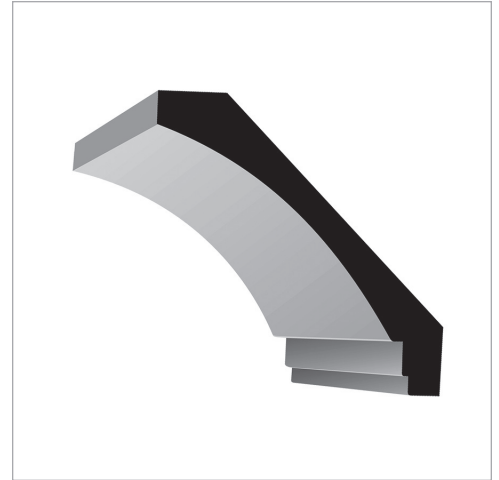


**T-413**  
1-1/4" X 6-5/16"  
16'

**T-424**  
1" X 4-1/2"  
16'



**T-421**  
7/8" X 6-15/16"  
16'



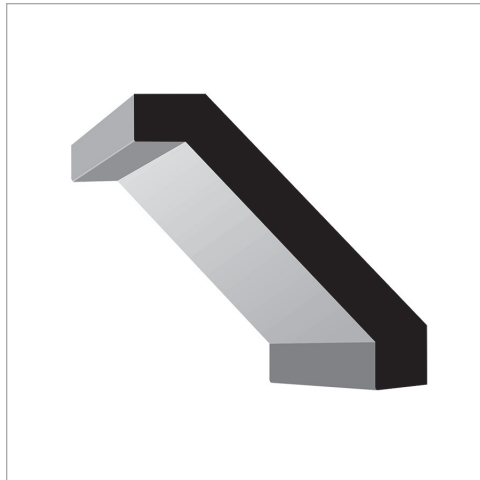
**T-429**  
1-1/4" X 5-1/4"  
16'

**T-430**  
1-1/4" X 6-3/4"  
16'

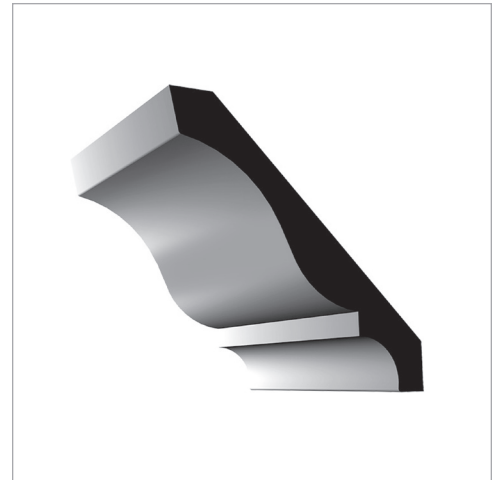


**T-438**  
1-1/4" X 5-1/4"  
16'

**T-439**  
1-1/4" X 7-1/4"  
16'



**T-441**  
1-1/4" X 5-3/4"  
16'



**T-451 (51)**  
1/2" X 3-1/4"  
16'

**T-470 (47)**  
5/8" X 4-1/4"  
16'

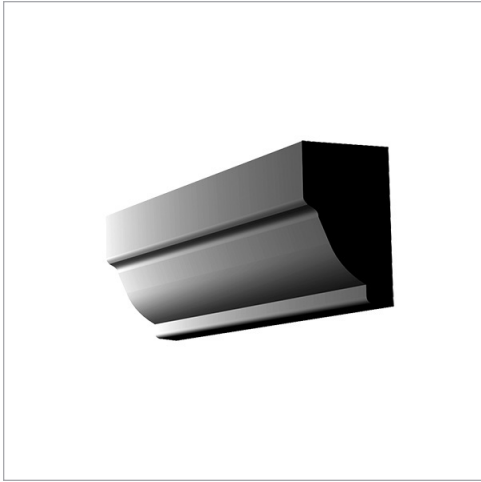
**T-471**  
5/8" X 5-1/4"  
16'



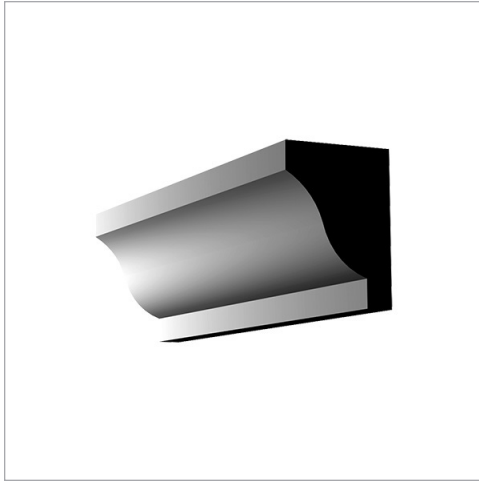
**T-477**  
1" X 5-1/4"  
16'

**T-478**  
1-1/4" X 6-3/4"  
16'

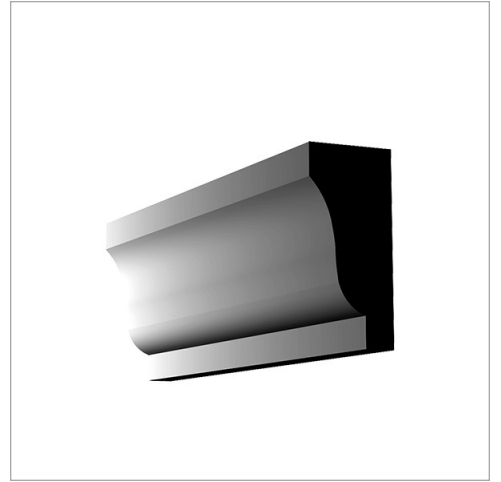
# FINGER JOINT CROWNS



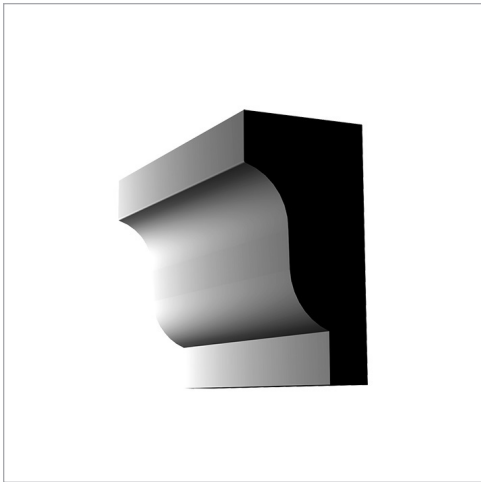
T-440 (3240)  
3/8" X 5/8"  
14'



T-442 (3242)  
1/2" X 3/4"  
16'



T-444 (3244)  
9/16" X 1-1/4"  
16'



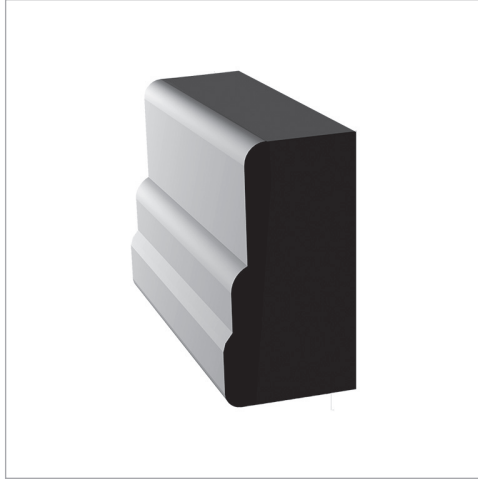
T-448 (3248)  
1-1/4" X 2-1/4"  
16'

PRIMED PINE

## FINGER JOINT BRICK MOULDS



P-180  
1-1/4" X 2"  
85", 170"



P-303  
1-1/4" X 1-1/2"  
7', 100", 14'



P-3322  
1-1/4" X 2-1/4"  
85", 170"

PRIMED PINE

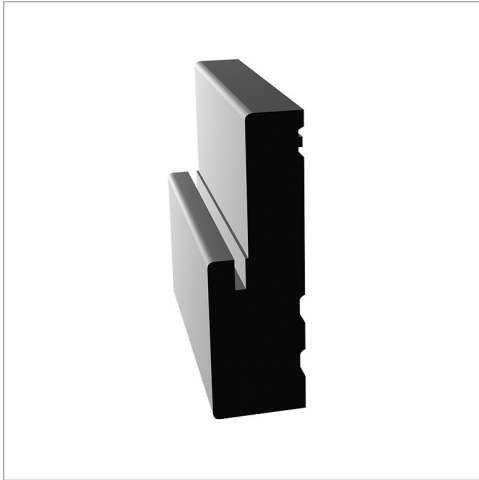
## FINGER JOINT T-BAR



T-BAR  
2-1/2" X 3-1/2"  
98"

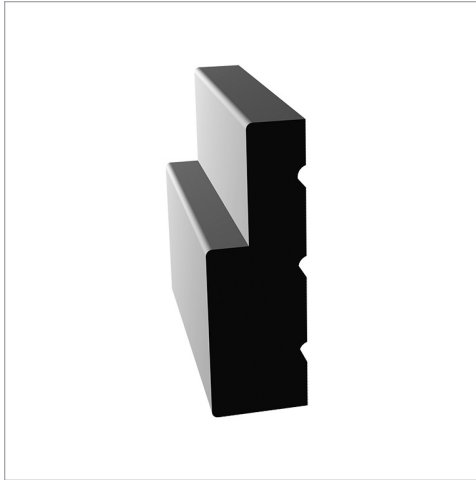
T-BAR  
3-3/16" X 3-11/16"  
98"

# FINGER JOINT JAMB



## EXTERIOR KERF JAMB

4-9/16" 1-1/4" X 4-9/16" X 2-1/8" KERF	5-1/4" 1-1/4" X 5-1/4" X 2-1/8" KERF
6-9/16" 1-1/4" X 6-9/16" X 2-1/8" KERF	7-1/4" 1-1/4" X 7-1/4" X 2-1/8" KERF
8-7/8" 1-1/4" X 8-7/8" X 2-1/8" KERF	8-1/2" 1-1/4" X 8-1/2" X 2-1/8" KERF



## INTERIOR RAB JAMB

4-9/16" 1-1/4" X 4-9/16" X 1-3/8" RAB	4-9/16" 1-1/4" X 4-9/16" X 1-3/4" RAB	4-11/16" 1-1/4" X 4-11/16" X 1-3/8" RAB	4-13/16" 1-1/4" X 4-13/16" X 1-3/8" RAB
5" 1-1/4" X 5" X 1-3/8" RAB	5-1/4" 1-1/4" X 5-1/4" X 1-3/8" RAB	5-1/4" 1-1/4" X 5-1/4" X 1-3/4" RAB	6-9/16" 1-1/4" X 6-9/16" X 1-3/8" RAB
6-9/16" 1-1/4" X 6-9/16" X 1-3/4" RAB	7-1/4" 1-1/4" X 7-1/4" X 1-3/8" RAB	7-1/4" 1-1/4" X 7-1/4" X 1-3/4" RAB	

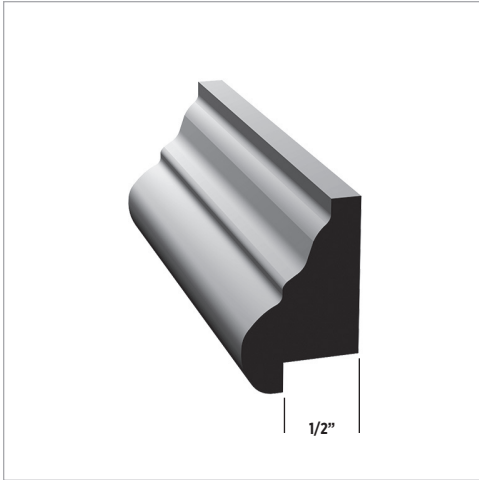
# FINGER JOINT 20 MIN FIRE LABEL



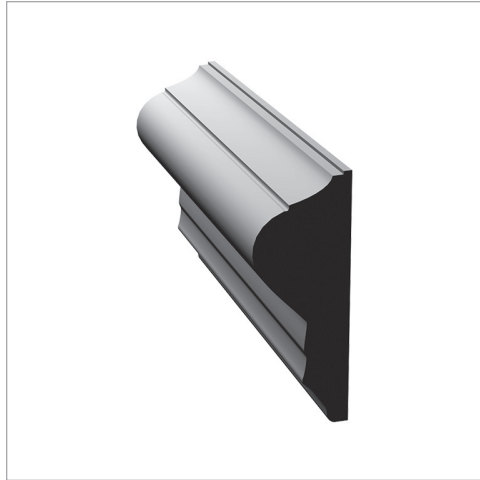
## EXTERIOR KERF JAMB

4-9/16" 1-1/4" X 4-9/16" X 2-1/8" KERF	5-3/4" 1-1/4" X 5-3/4" X 2-1/8" KERF
6-9/16" 1-1/4" X 6-9/16" X 2-1/8" KERF	7-3/8" 1-1/4" X 7-3/8" X 2-1/8" KERF
8-7/8" 1-1/4" X 8-7/8" X 2-1/8" KERF	

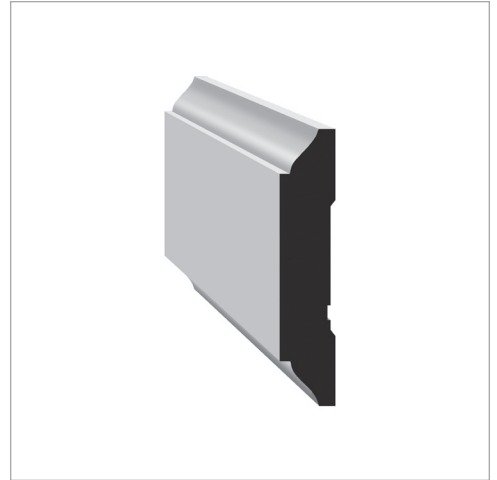
# FINGER JOINT MOULDINGS



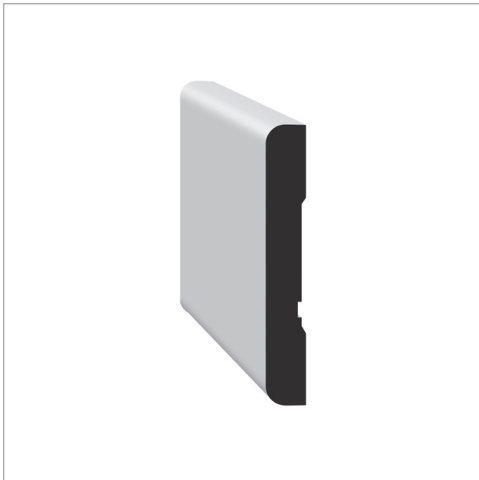
T-207 (107)  
11/16" X 1-1/4"  
16'



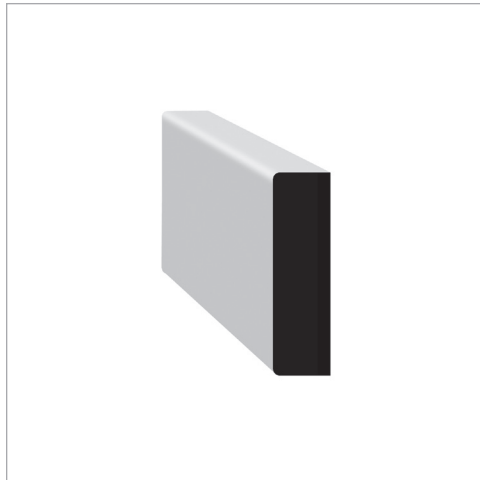
T-212 (112)  
11/16" X 1-7/8"  
16'



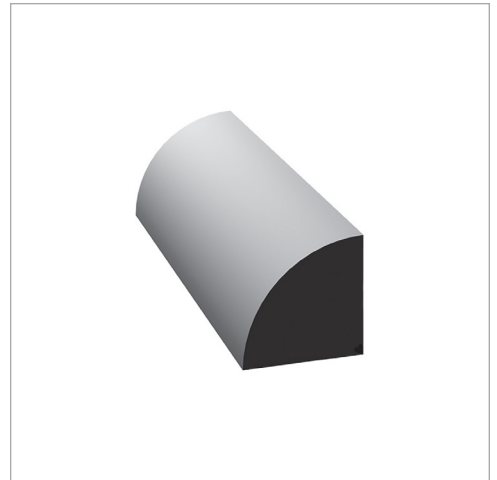
T-906 (606)  
7/16" X 2-1/4"  
16'



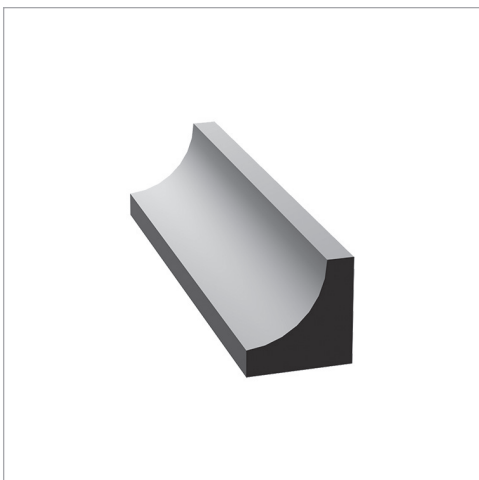
T-970  
3/8" X 2-1/4"  
14'



T-922 (3422)  
3/8" X 1-1/4"  
7', 14'



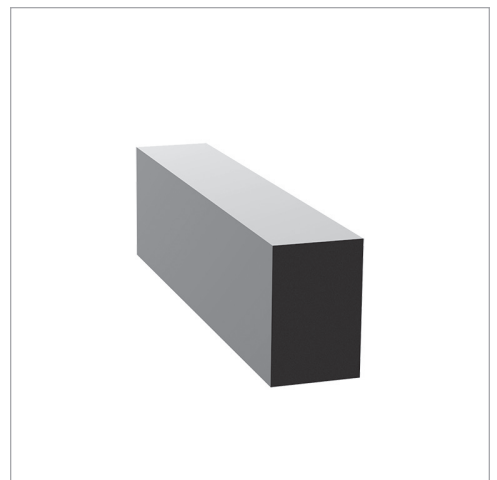
T-3206  
11/16" X 11/16"  
16'



T-3264  
11/16" X 11/16"  
16'



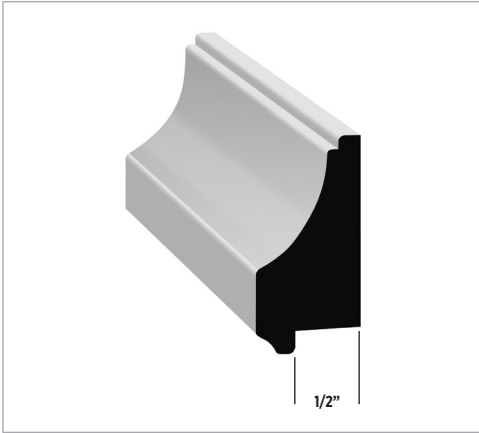
T-3280  
1-1/16" X 1-1/16"  
16'



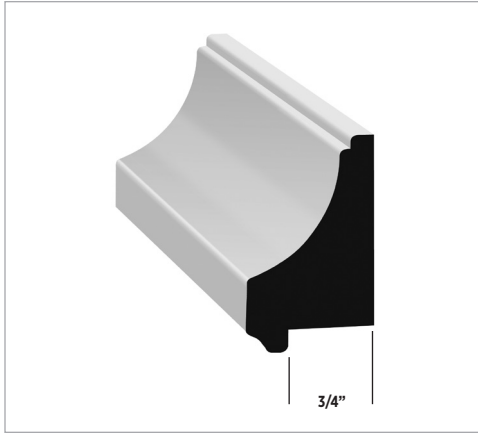
T-3428  
1/2" X 3/4"  
14'

PRIMED PINE

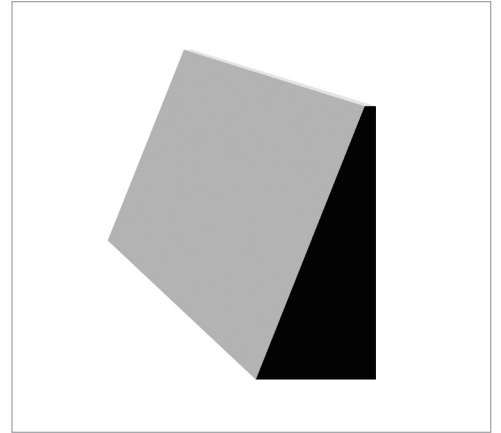
## FINGER JOINT MOULDINGS



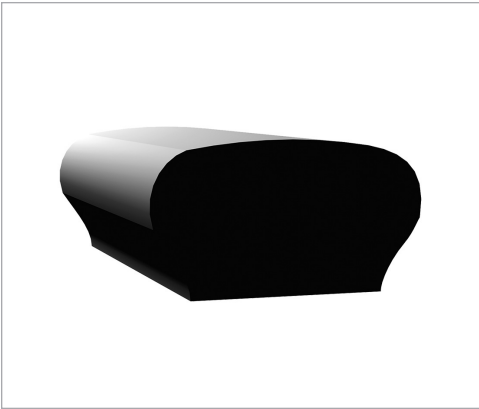
T-277  
7/8" X 1-1/4"  
16'



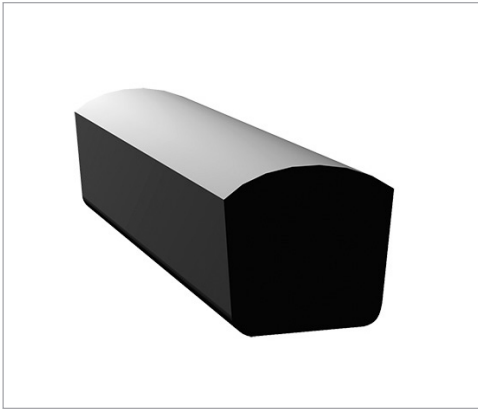
T-278  
1-1/16" X 1-3/4"  
16'



T-298  
7/8" X 2"  
16'



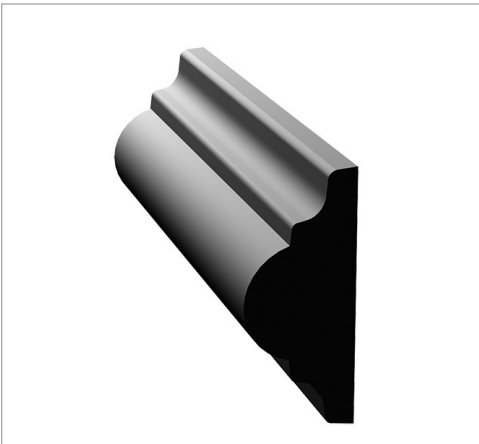
T-3508  
1-1/4" X 2-1/4"  
16'



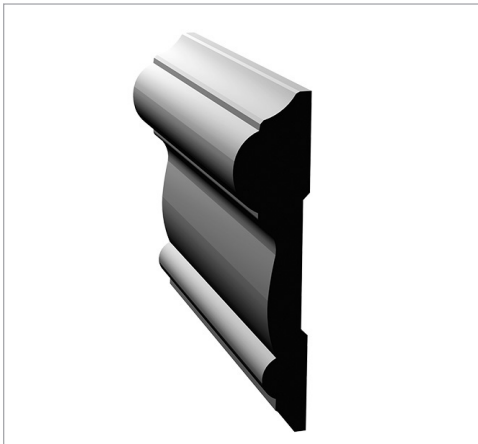
T-3510  
1-7/16" X 1-1/2"  
16'

ULTRALIGHT

## CHAIR RAIL / PANEL MOULD



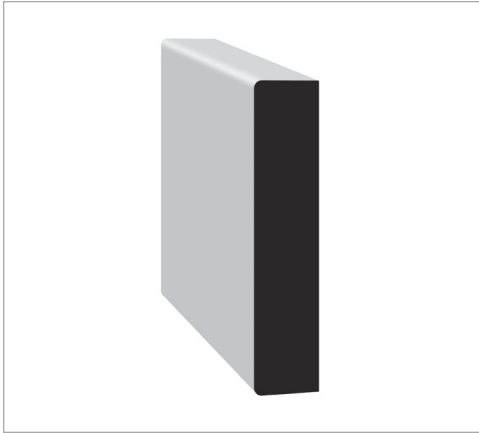
T-221  
11/16" X 1-1/2"  
16'



T-297  
11/16" X 3"  
16'

ULTRALIGHT

# FLAT STOCK



**E2E MDF FLAT STOCK**

**1 X 2**  
11/16" X 1-1/4"  
14'

**1 X 5**  
11/16" X 4-9/16"  
16'

**1 X 8**  
11/16" X 7-1/4"  
16'

**1 X 3**  
11/16" X 2-1/2"  
16'

**1 X 6**  
11/16" X 5-1/2"  
16'

**1 X 10**  
11/16" X 9-1/4"  
16'

**1 X 4**  
11/16" X 3-1/2"  
16'

**1 X 7**  
11/16" X 6-9/16"  
16'

**1 X 12**  
11/16" X 11-1/4"  
16'

PRIMED PINE

# FINGER JOINT FLAT STOCK



**1 X 2**  
11/16" X 1-3/8"  
14'

**1 X 5**  
11/16" X 4-9/16"  
16'

**1 X 8**  
11/16" X 7-1/4"  
16'

**1 X 3**  
11/16" X 2-1/2"  
16'

**1 X 6**  
11/16" X 5-1/2"  
16'

**1 X 10**  
11/16" X 9-1/4"  
16'

**1 X 4**  
11/16" X 3-1/2"  
16'

**1 X 7**  
11/16" X 6-9/16"  
16'

**1 X 12**  
11/16" X 11-1/4"  
16'

# MOULDINGS AS OF 2025

## **NANAIMO**

4101 MOSTAR ROAD  
NANAIMO, BC V9T 5V1  
TOLL FREE 1 800 667 1470

## **LANGLEY**

26848 GLOUCESTER WAY  
LANGLEY, BC V4W 3V6  
TOLL FREE 1 866 816 7741

## **KELOWNA**

2545 ACLAND ROAD  
KELOWNA, BC V1X 7J4  
TOLL FREE 1 800 665 1187

*We endeavour to update our product guides and informational materials on a regular basis. As design taste and technology changes we may also have new products that don't make it into a printed piece. Please contact your Taiga representative for all the latest inventory and specials that suit your business requirements.*



**taiga**  
building products

Whatever it takes.®