



taiga mouldings

**MOULDING
YOUR
WORLD
WITH
ENDLESS
POSSIBILITIES.**

taiga
building products

Whatever it takes.®

taigabuilding.com

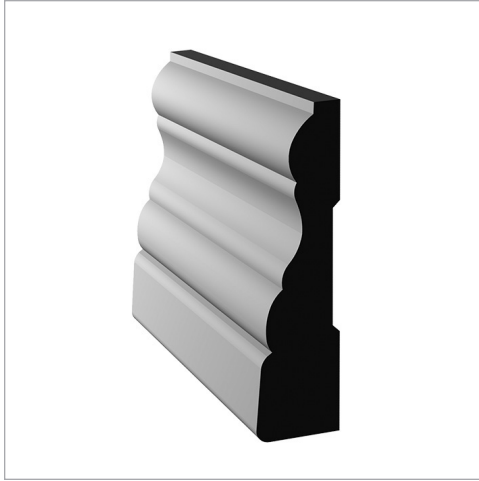
CASINGS



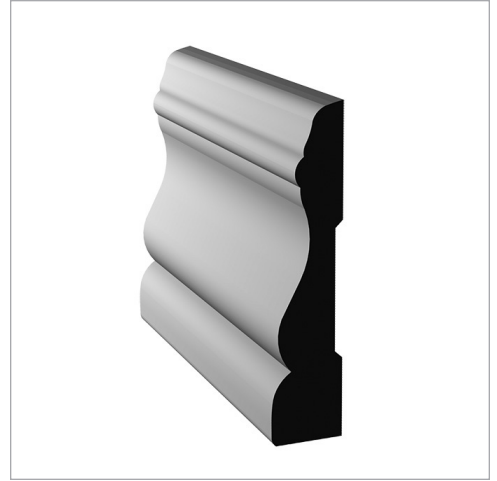
T-100
1/2" X 2-1/2"
14'

T-101
5/8" X 2-1/2"
7', 8', 14'

T-131
5/8" X 3"
15'



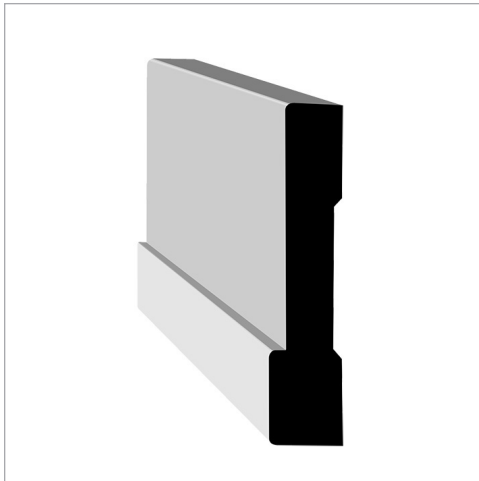
T-111
3/4" X 2-3/4"
15'



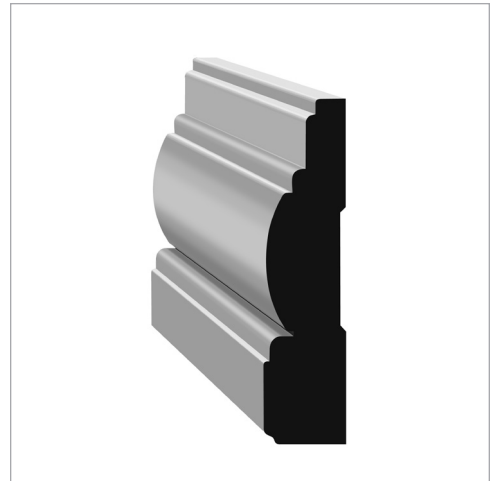
T-127
5/8" X 2-3/4"
15'



T-129
1-1/4" X 4"
16'



T-134
11/16" X 3-1/4"
16'



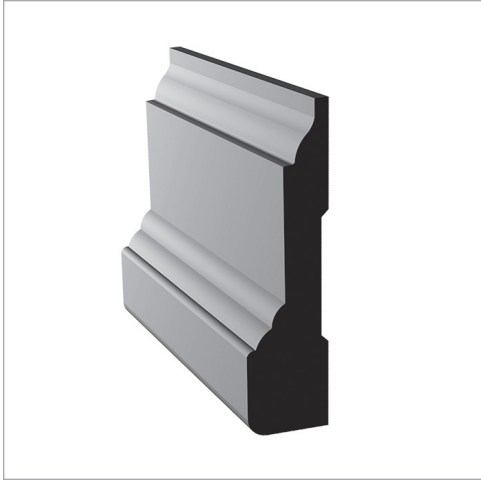
T-141
7/8" X 3-1/2"
16'

T-142
1" X 4-1/2"
16'

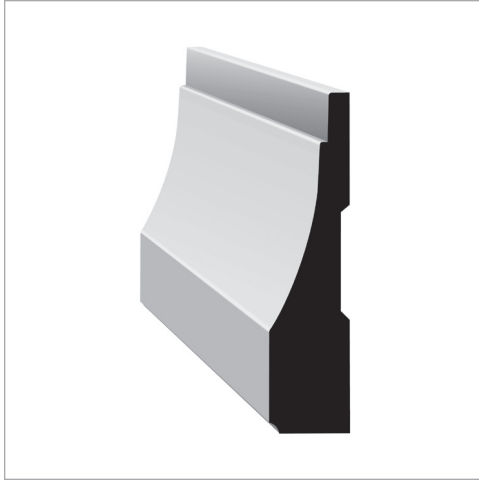


T-528
5/8" X 2"
8'

CASINGS



T-143
3/4" X 2-3/4"
15'



T-144B2
1" X 4"
16'

T-144C2
3/4" X 3"
16'



T-158
1 1/16" X 3-1/2"
15'



T-179
3/4" X 3-1/4"
15'



T-181
3/4" X 3-1/2"
15'



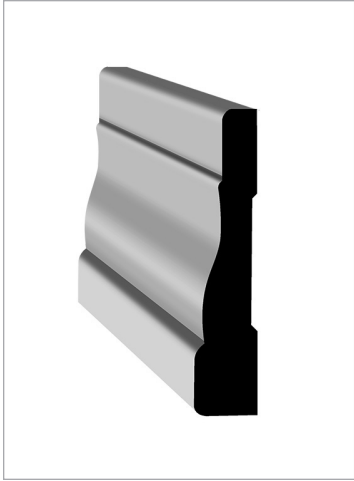
T-191
5/8" X 3-1/2"
16'



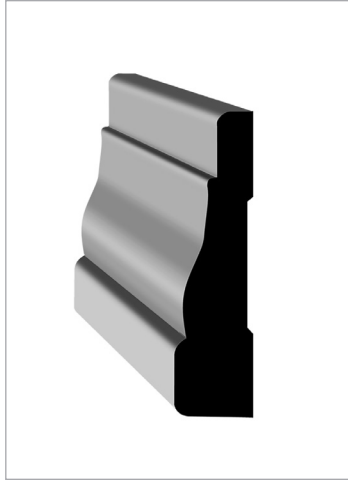
T-356
1/2" X 2-1/4"
14'

PRIMED PINE

FINGER JOINT CASING



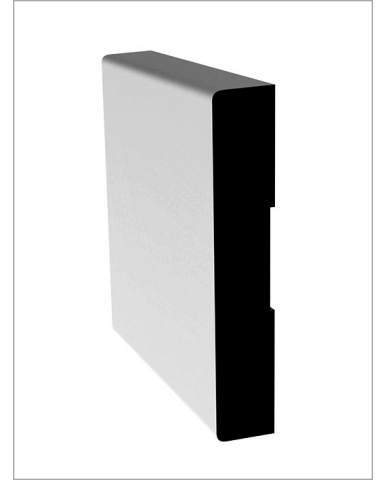
T-356
7/16" X 2-1/4"
14'



T-356WM
11/16" X 2-1/4"
14'



T-3000
7/16" X 1-7/16"
14'



T-3100
1/2" X 2-1/2"
14'

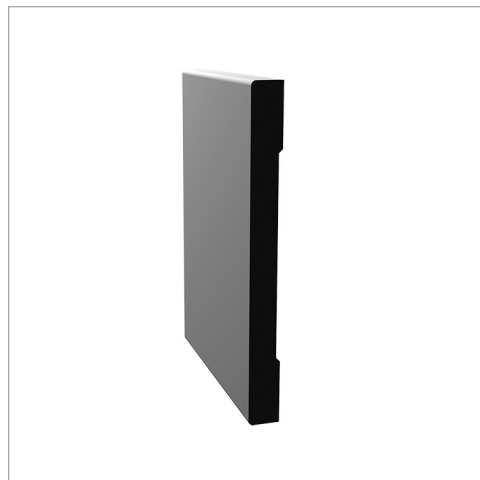
PRIMED PINE

FINGER JOINT BASEBOARDS

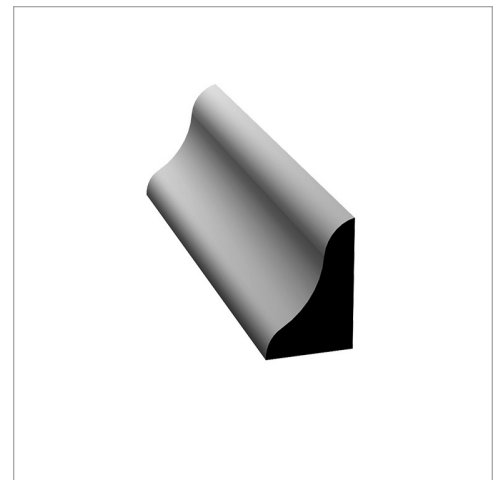


T-305
1/2" X 3-1/2"
16'

T-345
1/2" X 4-1/2"
16'

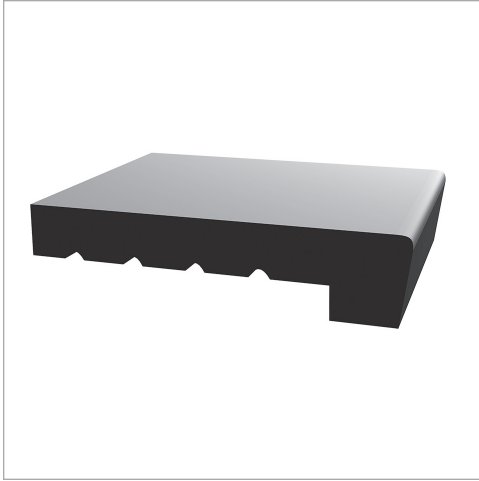


T-350
1/2" X 5-1/2"
16'



T-390 (201)
1/2" X 3/4"
16'

FINGER JOINT WINDOW STOOL



T-3410
1-1/4" X 5-1/4"
16'

T-3414
1-1/4" X 9-1/4"
16'

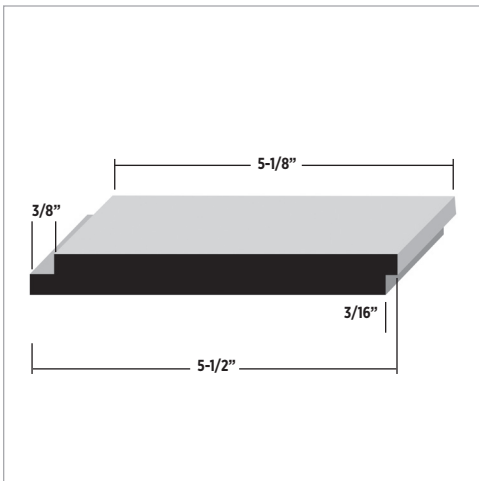
T-3418 SQUARE NOSE
1-1/2" X 7-1/2"
16'

T-3411
1-1/4" X 7-1/4"
16'

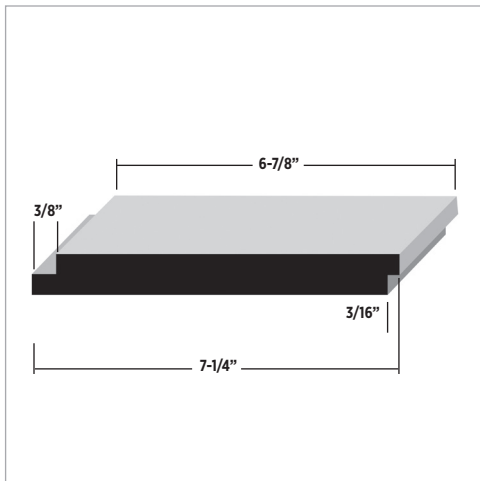
T-3415
1-1/4" X 12-7/8"
16'

ULTRALIGHT

SHIPLAP

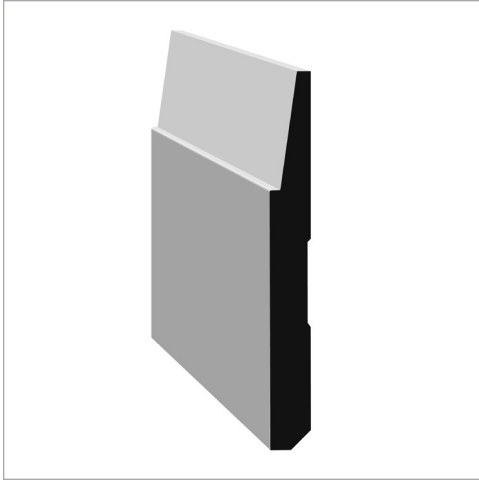


1 X 6 SHIPLAP
5/8" X 5-1/2"
16'



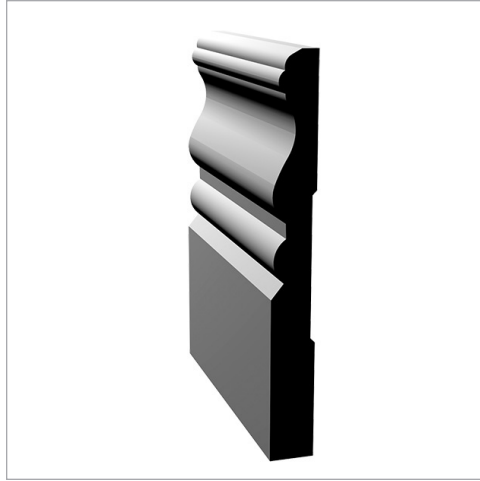
1 X 8 SHIPLAP
5/8" X 7-1/4"
16'

BASEBOARDS



T-273
5/8" X 5-1/2"
16'

T-274
5/8" X 7-1/4"
16'



T-340
5/8" X 4-1/8"
16'



T-330A
5/8" X 5-1/4"
16'

T-331
5/8" X 7-1/4"
16'



T-310
5/8" X 4-1/8"
16'

T-311
5/8" X 5-1/4"
16'

T-313
5/8" X 6-1/2"
16'



T-316
1/2" X 4-1/4"
16'

T-318
1/2" X 5-1/4"
16'



T-320
1/2" X 3-1/4"
16'

T-323
1/2" X 3-1/4"
16'

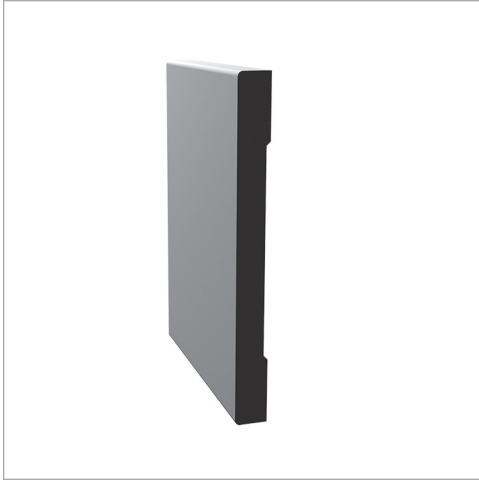


T-301
1/2" X 3-1/4"
14'

T-302
1/2" X 3-1/2"
16'

T-325
1/2" X 4"
16'

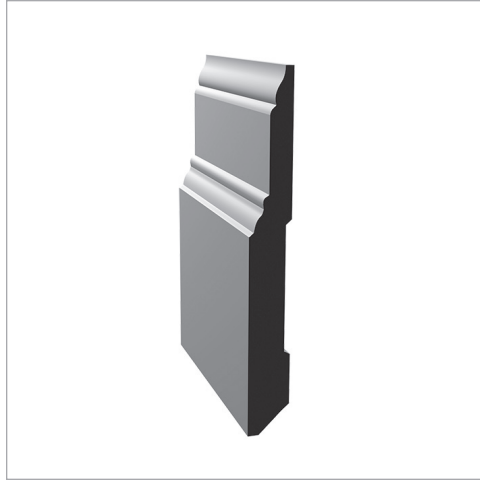
BASEBOARDS



T-327
1/2" X 4-1/2"
16'

T-357
1/2" X 5-1/4"
16'

T-359
1/2" X 5-1/2"
16'



T-334
5/8" X 5-1/2"
16'



T-346A2
5/8" X 5-1/4"
16'

T-346B2
11/16" X 7-1/4"
16'

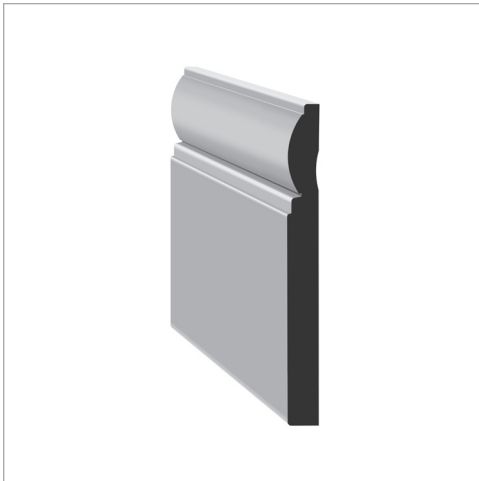
T-346C2
11/16" X 9"
16'

T-362
1/2" X 6"
16'

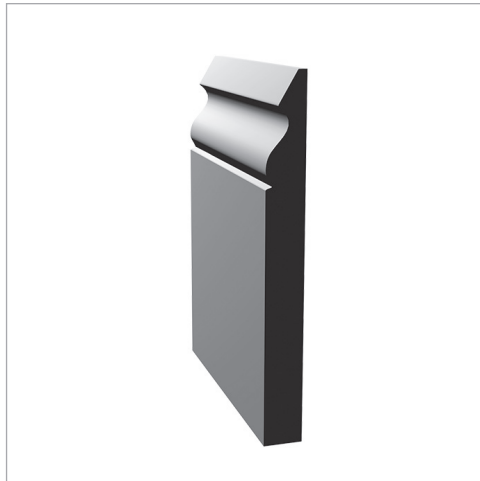
T-364
1/2" X 7-1/4"
16'

T-365E
1/2" X 9-1/4"
16'

T-366
1/2" X 11-1/4"
16'



T-347
3/4" X 7"
16'



T-361
5/8" X 5-1/4"
16'

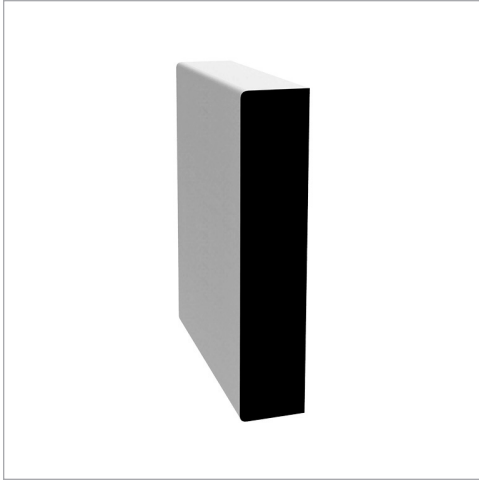
T-363
5/8" X 7-1/4"
16'



T-391A
1/2" X 5"
16'

T-392
1/2" X 7-1/4"
16'

ARCHITRAVES



T-530
1" X 3-1/2"
16'

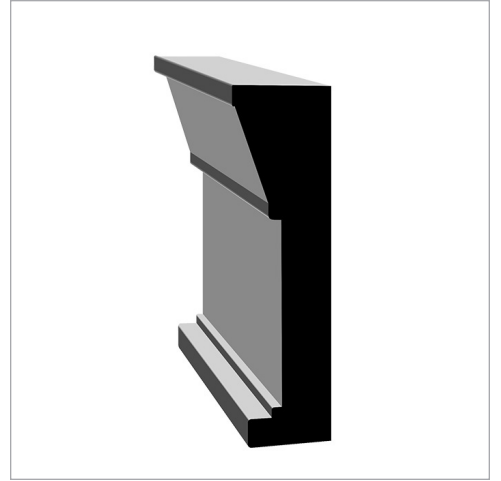
T-545
1" X 4-1/2"
16'

T-555
1" X 5-1/2"
16'

T-575
1" X 7-1/4"
16'



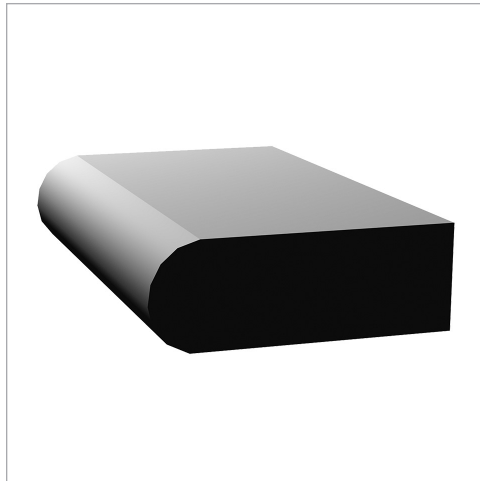
T-5010
1-1/4" X 4-1/4"
16'



T-5015
1-1/2" X 5-1/2"
12'



T-5025
1-1/4" X 5-1/4"
16'



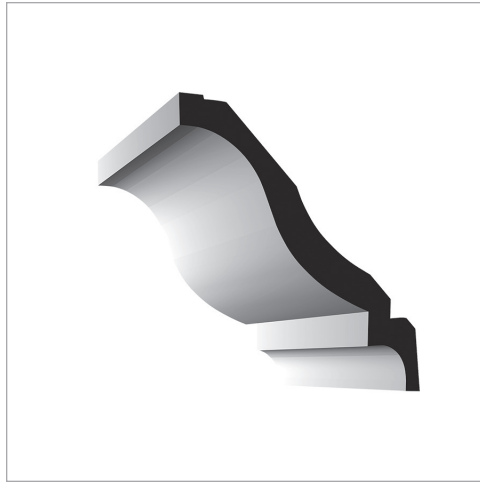
T-9532
1/2" X 1-3/8"
10'

CROWNS

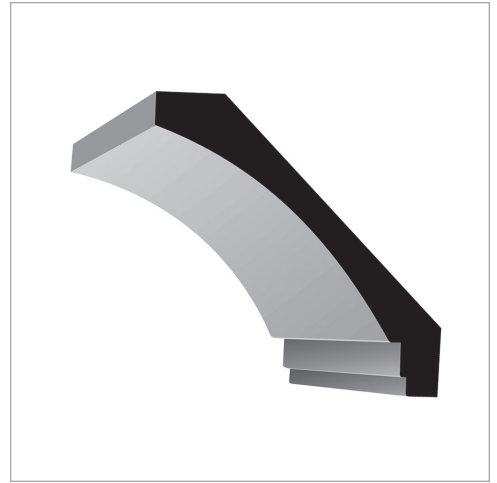


T-413
1-1/4" X 6-5/16"
16'

T-424
1" X 4-1/2"
16'



T-421
7/8" X 6-15/16"
16'



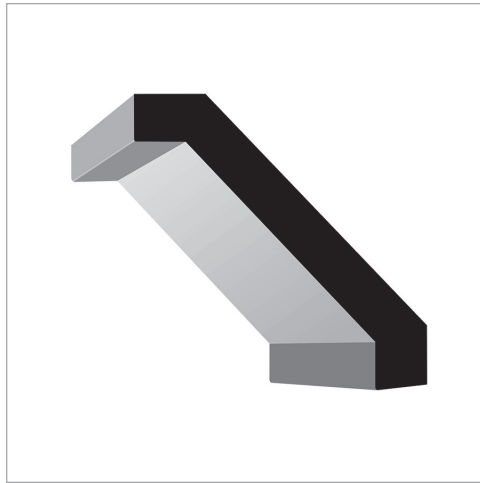
T-429
1-1/4" X 5-1/4"
16'

T-430
1-1/4" X 6-3/4"
16'

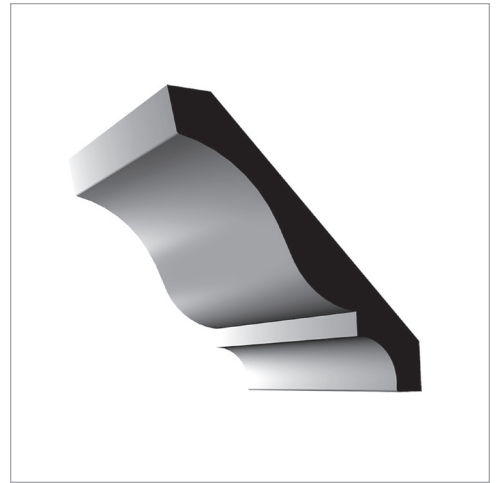


T-438
1-1/4" X 5-1/4"
16'

T-439
1-1/4" X 7-1/4"
16'



T-441
1-1/4" X 5-3/4"
16'



T-451 (51)
1/2" X 3-1/4"
16'

T-470 (47)
5/8" X 4-1/4"
16'

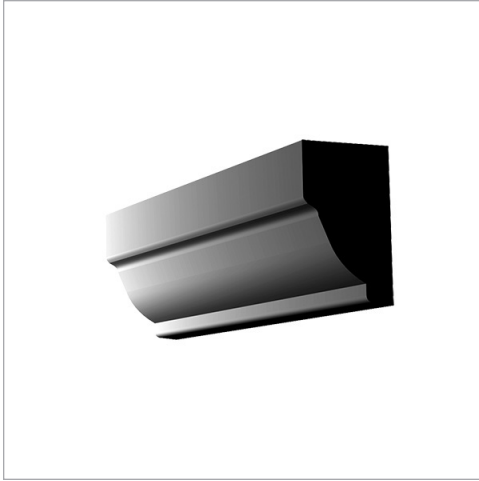
T-471
5/8" X 5-1/4"
16'



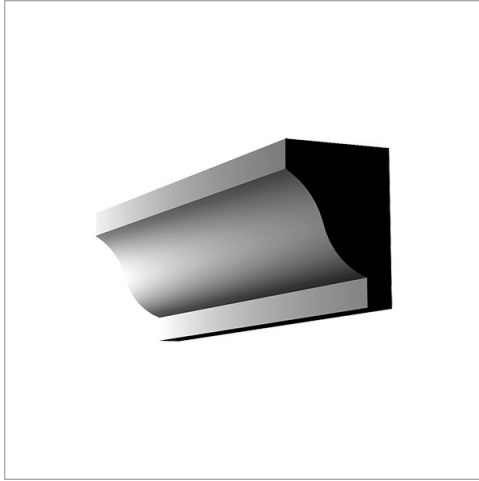
T-477
1" X 5-1/4"
16'

T-478
1-1/4" X 6-3/4"
16'

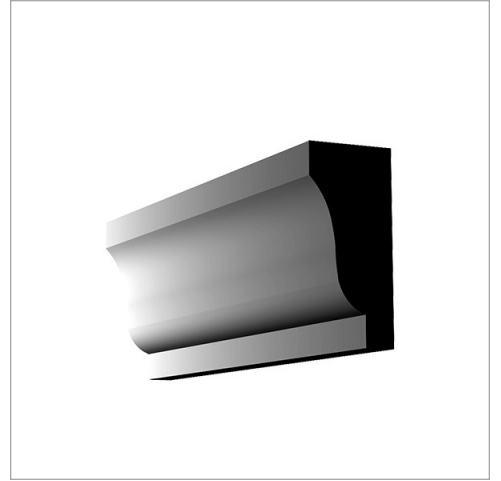
FINGER JOINT CROWNS



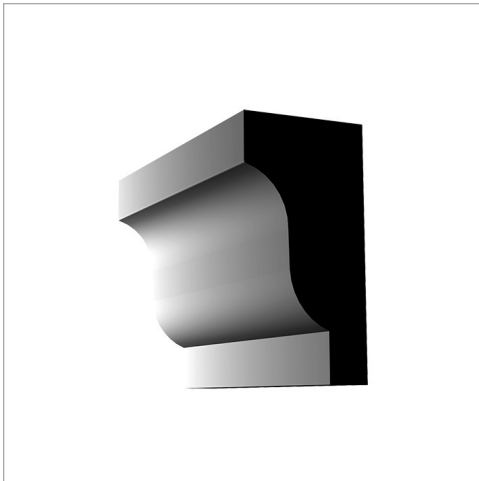
T-440 (3240)
3/8" X 5/8"
14'



T-442 (3242)
1/2" X 3/4"
16'



T-444 (3244)
9/16" X 1-1/4"
16'

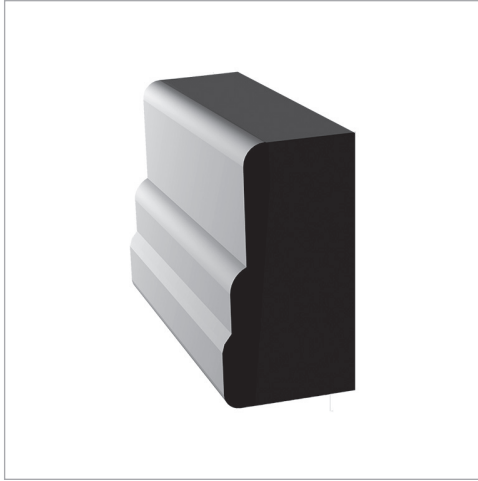


T-448 (3248)
1-1/4" X 2-1/4"
16'

FINGER JOINT BRICK MOULDS



P-180
1-1/4" X 2"
85", 170"



P-303
1-1/4" X 1-1/2"
7', 100", 14'



P-3322
1-1/4" X 2-1/4"
85", 170"

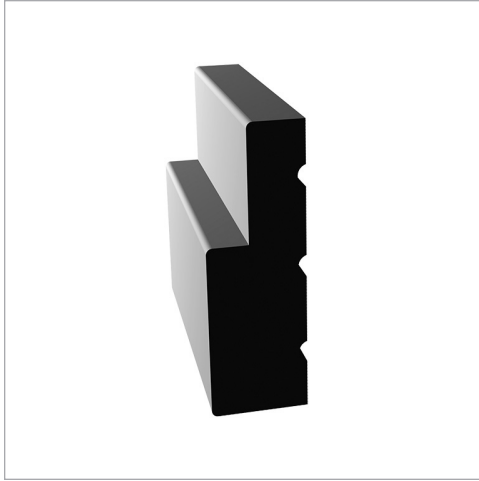
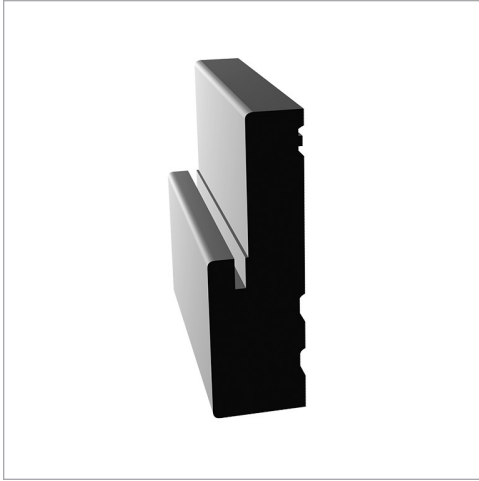
FINGER JOINT T-BAR



T-BAR
2-1/2" X 3-1/2"
98"

T-BAR
3-3/16" X 3-11/16"
98"

FINGER JOINT JAMB



EXTERIOR KERF JAMB

- | | |
|--|--|
| 4-9/16" 1-1/4" X 4-9/16" X 2-1/8" KERF | 5-1/4" 1-1/4" X 5-1/4" X 2-1/8" KERF |
| 6-9/16" 1-1/4" X 6-9/16" X 2-1/8" KERF | 7-1/4" 1-1/4" X 7-1/4" X 2-1/8" KERF |
| 8-7/8" 1-1/4" X 8-7/8" X 2-1/8" KERF | 8-1/2" 1-1/4" X 8-1/2" X 2-1/8" KERF |

INTERIOR RAB JAMB

- | | | | |
|---|---|---|---|
| 4-9/16" 1-1/4" X 4-9/16" X 1-3/8" RAB | 4-9/16" 1-1/4" X 4-9/16" X 1-3/4" RAB | 4-11/16" 1-1/4" X 4-11/16" X 1-3/8" RAB | 4-13/16" 1-1/4" X 4-13/16" X 1-3/8" RAB |
| 4-13/16" 1-1/4" X 4-13/16" X 1-3/4" RAB | 5" 1-1/4" X 5" X 1-3/8" RAB | 5-1/4" 1-1/4" X 5-1/4" X 1-3/8" RAB | 6-9/16" 1-1/4" X 6-9/16" X 1-3/8" RAB |
| 6-9/16" 1-1/4" X 6-9/16" X 1-3/4" RAB | 6-13/16" 1-1/4" X 6-13/16" X 1-3/8" RAB | 7-1/4" 1-1/4" X 7-1/4" X 1-3/8" RAB | 7-1/4" 1-1/4" X 7-1/4" X 1-3/4" RAB |
| 8-7/8" 1-1/4" X 8-7/8" X 1-3/8" RAB | | | |

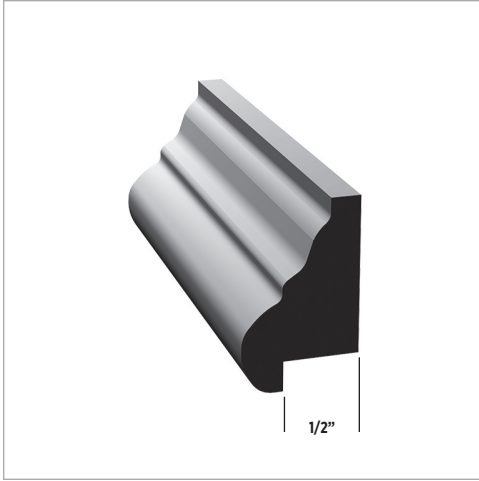
FINGER JOINT 20 MIN FIRE LABEL



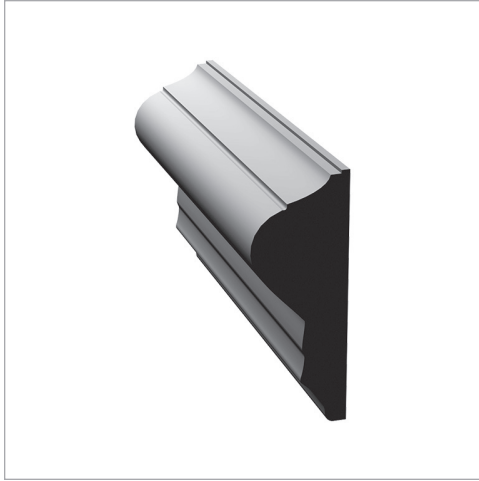
EXTERIOR KERF JAMB

- | | |
|--|--|
| 4-9/16" 1-1/4" X 4-9/16" X 2-1/8" KERF | 5-3/4" 1-1/4" X 5-3/4" X 2-1/8" KERF |
| 6-9/16" 1-1/4" X 6-9/16" X 2-1/8" KERF | 7-3/8" 1-1/4" X 7-3/8" X 2-1/8" KERF |
| 8" 1-1/4" X 8" X 2-1/8" KERF | 8-7/8" 1-1/4" X 8-7/8" X 2-1/8" KERF |

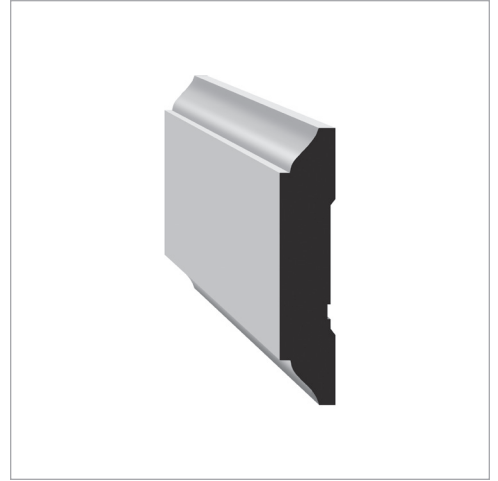
FINGER JOINT MOULDINGS



T-207 (107)
11/16" X 1-1/4"
16'



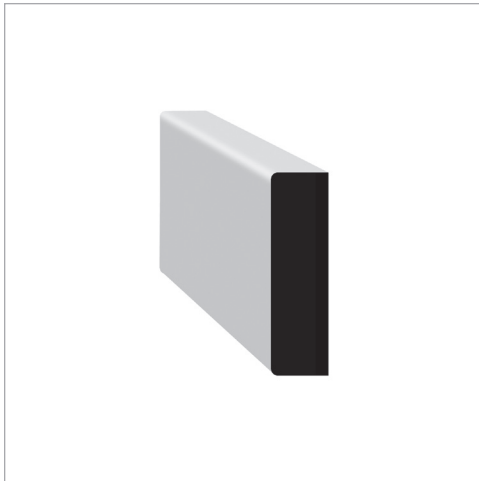
T-212 (112)
11/16" X 1-7/8"
16'



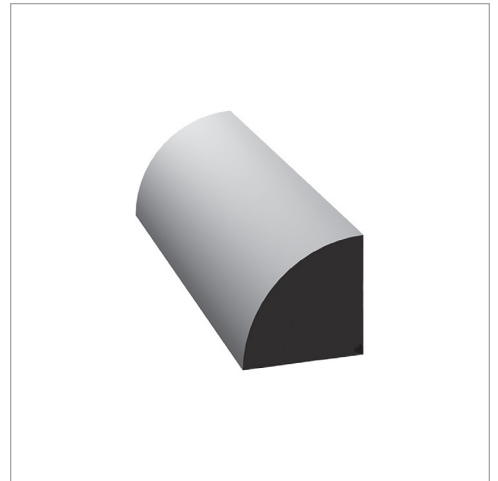
T-906 (606)
7/16" X 2-1/4"
16'



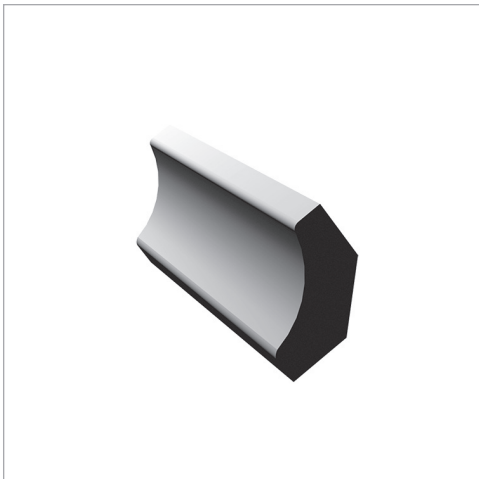
T-970
3/8" X 2-1/4"
14'



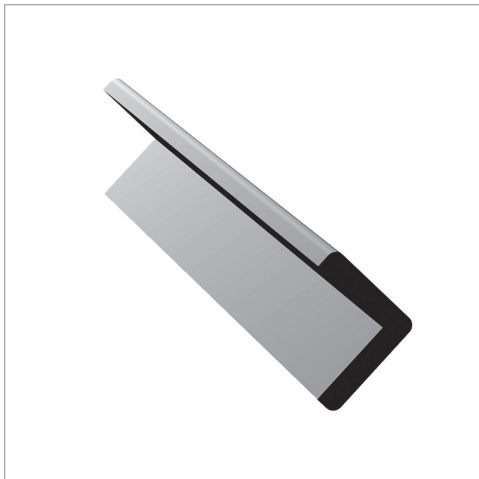
T-922 (3422)
3/8" X 1-1/4"
7', 14'



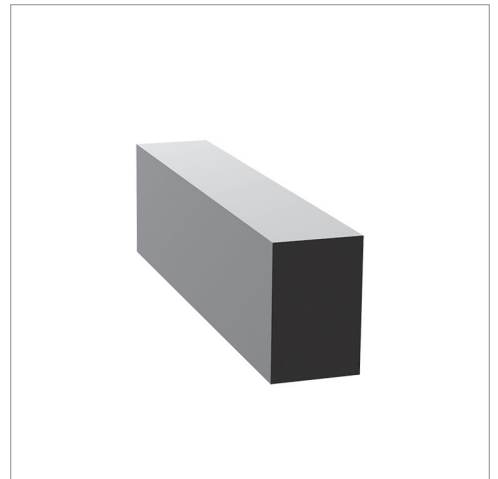
T-3206
11/16" X 11/16"
16'



T-3264
11/16" X 11/16"
16'

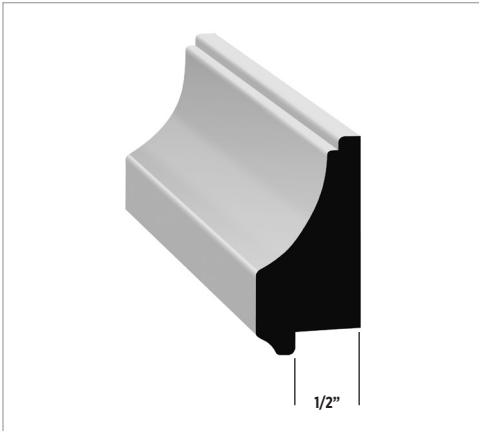


T-3280
1-1/16" X 1-1/16"
16'

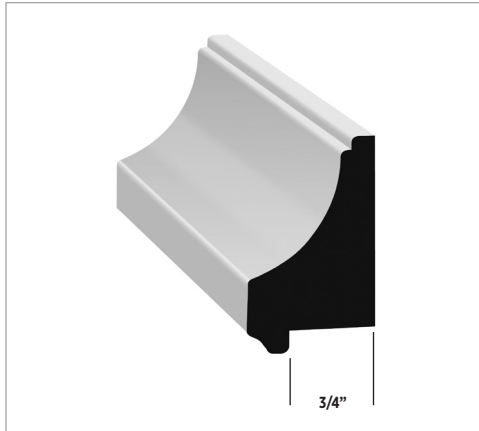


T-3428
1/2" X 3/4"
14'

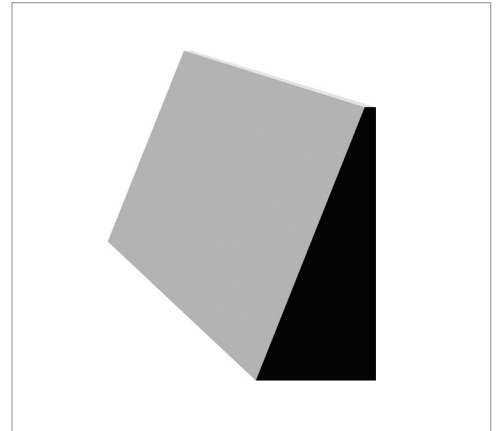
FINGER JOINT MOULDINGS



T-277
7/8" X 1-1/4"
16'



T-278
1-1/16" X 1-3/4"
16'



T-298
7/8" X 2"
16'

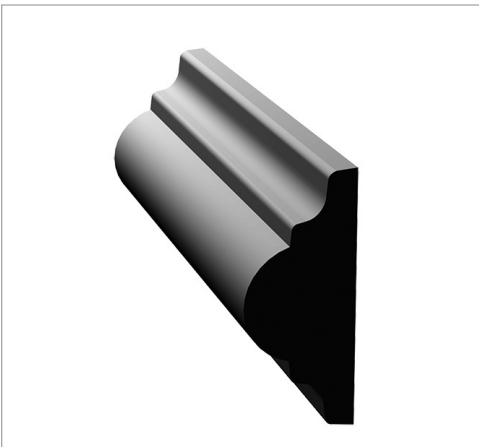


T-3508
1-1/4" X 2-1/4"
16'



T-3510
1-7/16" X 1-1/2"
16'

CHAIR RAIL / PANEL MOULD

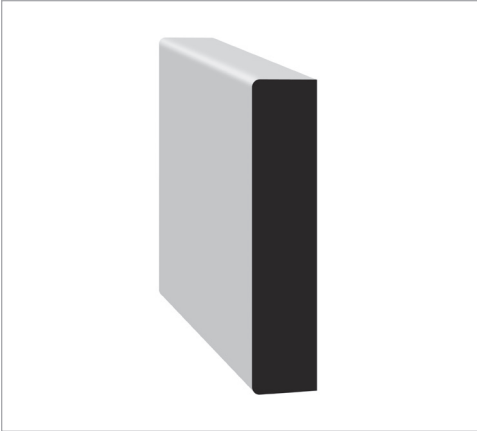


T-221
11/16" X 1-1/2"
16'



T-297
11/16" X 3"
16'

FLAT STOCK



E2E MDF FLAT STOCK

1 X 2
11/16" X 1-1/4"
14'

1 X 5
11/16" X 4-9/16"
16'

1 X 8
11/16" X 7-1/4"
16'

1 X 3
11/16" X 2-1/2"
16'

1 X 6
11/16" X 5-1/2"
16'

1 X 10
11/16" X 9-1/4"
16'

1 X 4
11/16" X 3-1/2"
16'

1 X 7
11/16" X 6-9/16"
16'

1 X 12
11/16" X 11-1/4"
16'

FINGER JOINT FLAT STOCK



1 X 2
11/16" X 1-3/8"
14'

1 X 5
11/16" X 4-9/16"
16'

1 X 8
11/16" X 7-1/4"
16'

1 X 3
11/16" X 2-1/2"
16'

1 X 6
11/16" X 5-1/2"
16'

1 X 10
11/16" X 9-1/4"
16'

1 X 4
11/16" X 3-1/2"
16'

1 X 7
11/16" X 6-9/16"
16'

1 X 12
11/16" X 11-1/4"
16'

MOULDINGS AS OF 2026

NANAIMO

4101 MOSTAR ROAD
NANAIMO, BC V9T 5V1
TOLL FREE 1 800 667 1470

LANGLEY

26848 GLOUCESTER WAY
LANGLEY, BC V4W 3V6
TOLL FREE 1 866 816 7741

KELOWNA

2545 ACLAND ROAD
KELOWNA, BC V1X 7J4
TOLL FREE 1 800 665 1187

We endeavour to update our product guides and informational materials on a regular basis. As design taste and technology changes we may also have new products that don't make it into a printed piece. Please contact your Taiga representative for all the latest inventory and specials that suit your business requirements.



taiga
building products
Whatever it takes.®